

# EXCALIBUR VL19E

End of Life  
Protection



## FEATURES AND BENEFITS

Proven track record offshore • Excellent ingress protection • Cassette relamping for easy maintenance • End of Life protection

## CERTIFICATION & APPROVALS

**ATEX** Certificate BAS00ATEX2190

Ex II 2 GD Ex em II T4 T100°C

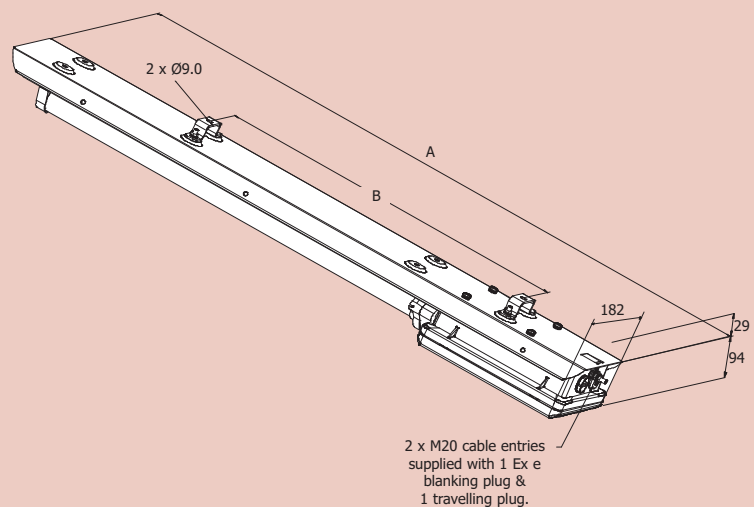
Ambient temperature range:  
-35°C to +55°C\*

Ingress protection to IP66 and IP67

**GOST-R** Approved  
**TIS** Approved

\*For operations below -20°C  
please contact technical sales

## DIMENSIONS



Fitting wattage	Overall length Dim A	Fixing centres Dim B
18W	1023	633
36W	1633	1243

Dimensions in millimetres

# ZONE 1 TYPE Ex 'e' INCREASED SAFETY

## TECHNICAL SPECIFICATION

### LAMP TYPES

Mono pin - T8, Ø26mm. 18W and 36W 'cold start' with Fa6 caps.  
Bi-pin - T8, Ø26mm. 18W and 36W with G13 caps.

### POWER SUPPLY

18W High voltage 110V-254V AC/DC 50/60Hz.  
36W High voltage 220V-254V AC/DC 50/60Hz.  
36W Low voltage 110V-130V AC/DC 50/60Hz. (/120)

### POWER FACTOR

Better than 0.95.

### TERMINALS

4 core up to 4 mm<sup>2</sup> conductors with looping.

Through wiring is available as an option.

Terminals for live constant, live switched, neutral & earth are provided. Internal earth is on gland entry plate, external earth terminal is supplied as standard with an M6 brass stud.

### CABLE ENTRIES

Two x M20 threaded entries, supplied with 1 x transit plug and 1 x Ex blanking plug.

Cable entry devices (ie. glands) must maintain the IP rating for the luminaire.

### TEMPERATURE CLASSIFICATION

Gas environments: T4.  
Dust environments: T100°C.

### AMBIENT TEMPERATURE

-35°C to +55°C.

### MATERIALS

**Control Gear Housing** Polycarbonate with silicone rubber gaskets.  
**Lamp Envelope** Polycarbonate end mouldings and extruded tube.  
**Reflector** Epoxy powder coated stainless steel.  
**External Fasteners** Stainless steel.

### WEIGHT

18W luminaire - 6.3kg.  
36W luminaire - 7.8kg.

### SUSPENSION

Standard via two saddle brackets (fixing centres 633mm - 18W & 1243mm - 36W). Other fixings available upon request.

Optional ceiling, wall, pole mounting brackets, and eye bolts are also available on request.

The luminaire may be mounted in any orientation.

## ORDERING REFERENCE

Std. Cat Ref.	Wattage	Lamp Type
EXCE/218/BI	2x18W	Bi-Pin
EXCE/236/BI	2x36W	Bi-Pin
EXCE/218/MO	2x18W	Mono-Pin
EXCE/236/MO	2x36W	Mono-Pin

## OPTIONS - SUFFIX TO CATALOGUE REF.

/120	Specific voltage 110/130V (36W only)
/M25	25mm Entries
/T	Through wiring
/SC	Screwed connection terminal block (6mm <sup>2</sup> conductors)

## ACCESSORIES

Ceiling mount bracket  
SEXCE-00001

Pole mount bracket (35-40mm)  
SEXCE-00002

Pole mount bracket (40-50mm)  
SEXCE-00003

M8 eye bolt  
SEXCE-00008

Wall bracket  
SEXCE-00009

Wire guard s/s (600mm)  
SEXCE-00011

Wire guard s/s (1200mm)  
SEXCE-00010

To calculate photometric values for lighting design, please use the free Victor LiteGuide™ software package.  
To request your copy, please contact your local Victor agent or download a copy from the website.  
Design is subject to alteration without notice. Please refer to the website [www.victor-lighting.com](http://www.victor-lighting.com) for the latest details.  
All products are sold subject to our conditions of sale, available on request.