

MONARCH II VL15



Low wattage glass globe (up to 150W)



Enclosed spun reflector

FEATURES AND BENEFITS

Swing barrel nut system for simple installation • Easy access to terminals and control gear • Threaded lamp glass for rapid re-lamping

CERTIFICATION & APPROVALS

IEC Ex Certificate IECEx SIR 05.0004
ATEX Certificate Baseefa06ATEX0039X

Ex II 3 G Ex nA nR II

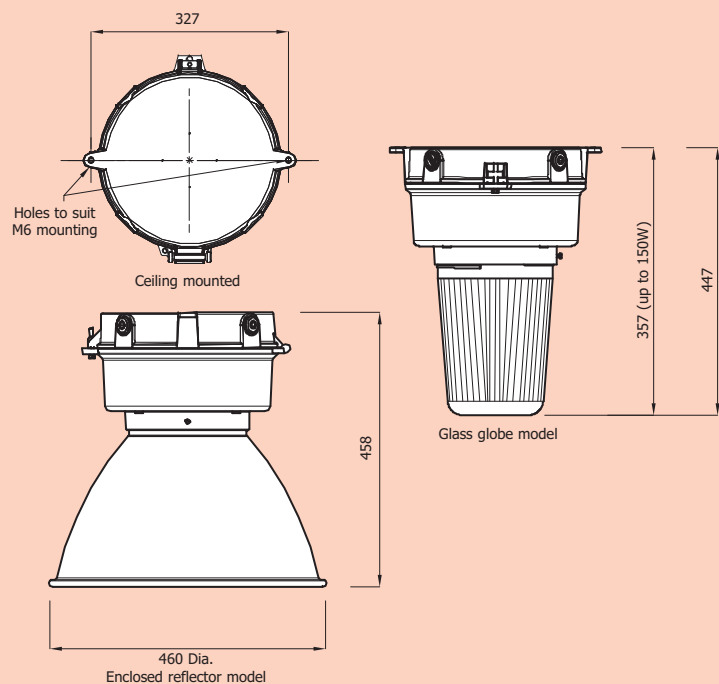
Ambient temperature range:
-45°C to +55°C*

Ingress protection IP66

GOST-R Approved
TIS Approved

* Refer to matrix for lamp,
'T' rating.

DIMENSIONS



Dimensions in millimetres

ZONE 2 TYPE Ex 'n' RESTRICTED BREATHING

ORDERING REFERENCE

Std. Cat Ref.	Wattage	Lamp Type	Lampholder	T Class	T °C(Dust)	Ambient °C
MO2N/050/HS	50W	HPS	E27	T4	110	-45°C to +55°C
MO2N/070/HS	70W	HPS	E27	T4	110	-45°C to +55°C
MO2N/100/MS	100W	HPS/Metal Halide	E40	T4	110	-45°C to +55°C
MO2N/150/MS	150W	HPS/Metal Halide	E40	T4	110	-45°C to +55°C
MO2N/250/MS	250W	HPS/Metal Halide	E40	T4	130	-45°C to +50°C
MO2N/400/MS	400W	HPS/Metal Halide	E40	T3	160	-45°C to +45°C
MO2N/080/MV	80W	Mercury Vapour	E27	T3	135	-45°C to +45°C
MO2N/125/MV	125W	Mercury Vapour	E27	T3	135	-45°C to +45°C
MO2N/250/MV	250W	Mercury Vapour	E40	T3	135	-45°C to +40°C
MO2N/400/MV	400W	Mercury Vapour	E40	T3	180	-45°C to +35°C

TECHNICAL SPECIFICATION

LAMP TYPES

HPS, Metal Halide, Mercury vapour. Refer to table above.

POWER SUPPLY

220, 230, 240V 50Hz (50, 80, 100 & 125W)
220, 230, 240, 254V 50Hz (70, 150, 250 & 400W)

TERMINALS

3 core up to 6 mm² conductors with looping. Terminals for live constant, neutral & earth are provided. External earth terminal as an option.

CABLE ENTRIES

Up to 4 x M20 cable entries.

Supplied with 1 x transit plug and 1 or 3 x Ex blanking plugs.

Cable entry devices (ie. glands) must maintain the IP rating for the luminaire.

TEMPERATURE

Refer to matrix above for maximum ambient temperature for lamp, T rating & orientation.

MATERIALS

Main body and base Painted aluminium alloy.
Lamp glass Borosilicate glass.
Gasket Silicone rubber.

WEIGHT

HPS - 7.5Kg (50W), 9.0Kg (100W)
HPS/Metal Halide - 8.0Kg (70W), 11.0Kg (150W),
15.0kg (250W), 15.5Kg (400W)
Mercury Vapour - 7.5Kg (80W), 8.0Kg (125W), 15.0Kg (250W),
15.5Kg (400W)

SUSPENSION

Mounting options include: ceiling and flush, wall mounted, stanchion and pendant mounted options. Refer to page 62.

OPTIONS - SUFFIX TO CATALOGUE REF.

/60	60Hz
/M25	M25 cable entries
/WM	Wall mounted version
/ST	Stanchion mounted version
/PE	Pendant mounted version (single M25 entry from top)
/TI	Timed cut out ignitor
/D	Zone 22 Dust applications
/ER	Enclosed spun reflector
/IEC	Supplied with IEC Ex certification label

ACCESSORIES

Wire guard for low wattage glass globe
(up to 150W)
E0850-0042

Wire guard for high wattage glass globe
(200W/400W)
E0850-0044

Wire guard for enclosed reflector
E0850-0043

Dome reflector
HEC20-0001

30° Angled reflector
HEC20-0002



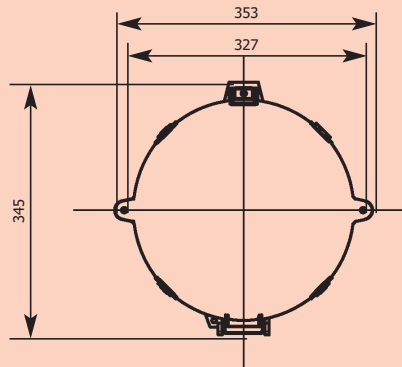
PO Box 5571, Glasgow
G52 9AH, Scotland
Tel: +44 (0)141 810 9644
Fax: +44 (0)141 810 9642

Email: info@victor-lighting.com
www.victor-lighting.com

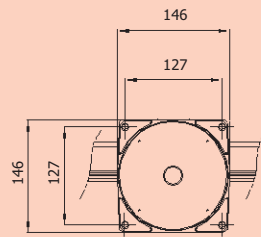
Revision 1
August 2008

MONARCH II

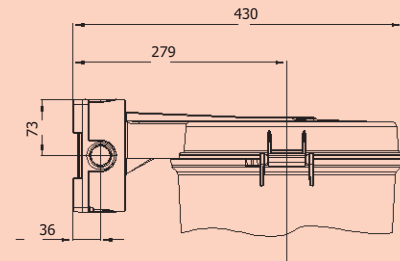
CEILING and FLUSH MOUNTING



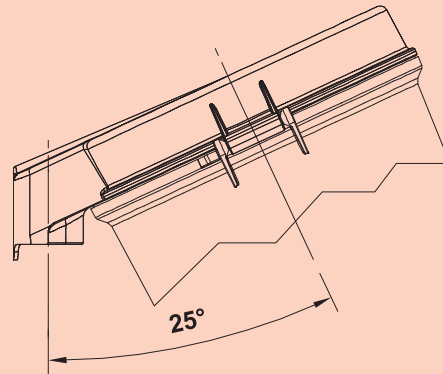
WALL MOUNTING (/WM)



4 x Mounting holes
suitable for M6 screws

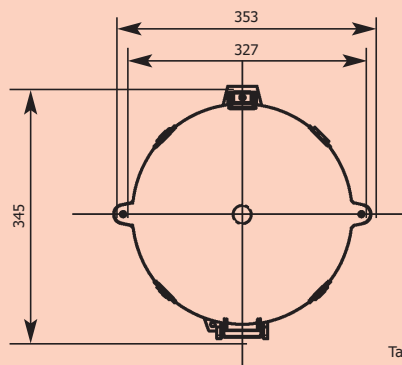


25° STANCHION MOUNTING (/ST)



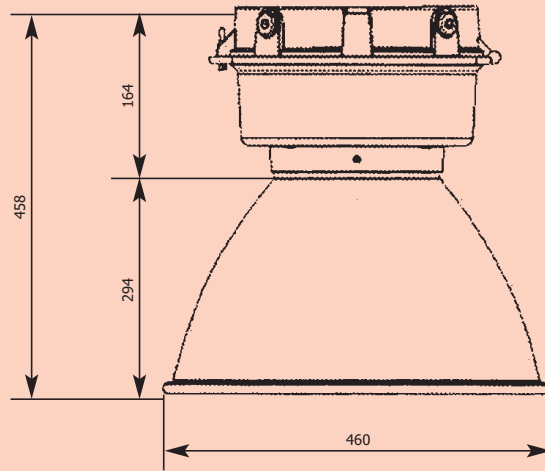
To suit pole diameter 70mm (1½ threaded)

PENDANT MOUNTING (/PE)

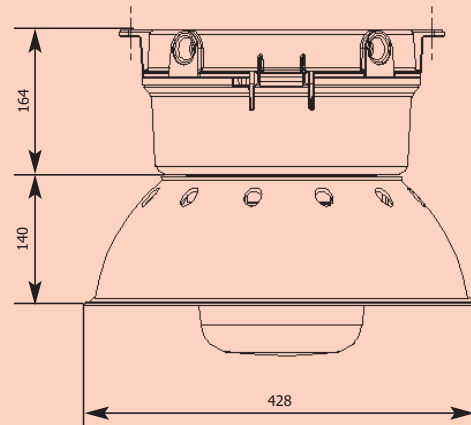


Tapped M25 hole for mounting
and cable entry

SEALED SPUN REFLECTOR (/ER)



DOMED REFLECTOR (HEC20-0001)



ANGLE REFLECTOR (HEC20-0002)

