

# PATHFINDER VL114

3 Hour  
Operation



11W Emergency version



Hanging exit sign



Adhesive exit sign

## FEATURES AND BENEFITS

Lightweight yet robust construction • Mount in any orientation • Ideal for over-door lighting • Supplied complete with lamps

## CERTIFICATION & APPROVALS

**IECEX** Certificate IECEX SIR 05.0004  
**ATEX** Certificate SIRA03ATEX3556 T100°C

VL114 Standard Luminaire  
Ex II 2 GD Ex em II

Ambient Temperature Range  
2x18W T4 -45°C to +30°C\*  
T3 -45°C to +40°C\*  
T3 -45°C to +40°C\*  
1x11W T3 -45°C to +40°C\*

VL114 Emergency 1 x 11W Luminaire  
Ex II 2 GD Ex em II

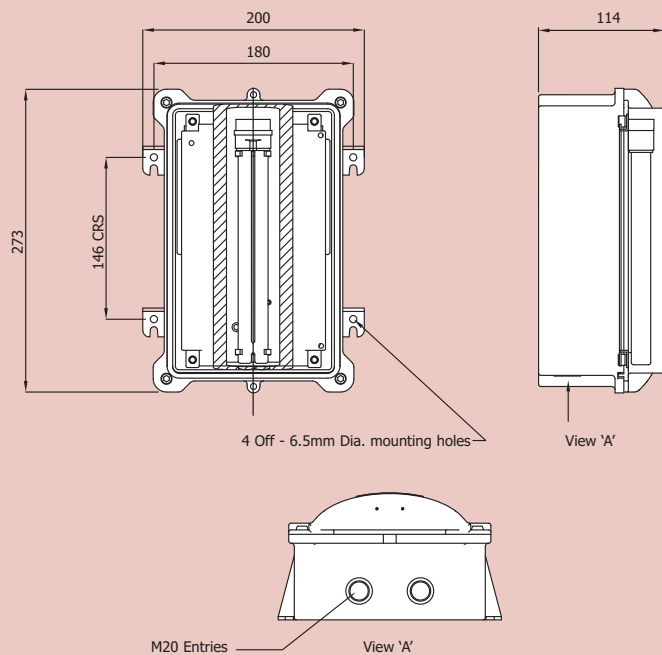
Ambient Temperature Range  
Non-Maintained T4 -15°C to +60°C  
T5 -15°C to +40°C  
T6 -15°C to +25°C  
Maintained T3 -15°C to +40°C

Ingress protection to IP66, IP67  
IP68 (on application)

**GOST-R** Approved  
**GB (China)** Approved

\*For operations below -20°C  
please contact technical sales

## DIMENSIONS



Dimensions in millimeters

# ZONE 1 TYPE Ex 'e' INCREASED SAFETY

## TECHNICAL SPECIFICATION

### LAMP TYPES

11W and 18W compact fluorescent lamps are factory fitted.

### POWER SUPPLY

VL114S	220V-254V, 50/60Hz only (1x11W)
VL114S	110V-254V, 59/60Hz (2x18W)
VL114E	220V-254V, 50/60Hz only (1x11W)

### POWER FACTOR

Better than 0.95.

### EMERGENCY OPERATION

11W non-maintained emergency light output is 423 lumens. Duration is typically 3 hours.

### BATTERY

5 cell - 4Ah, 6V internal Ni-Cad.

### TERMINALS

3 core up to 4 mm<sup>2</sup> conductors with looping.

Terminals for live constant, live switched, neutral & earth are provided.

### CABLE ENTRIES

Two x 20mm clearance holes supplied with 1 x transit plug and 1 x Ex blanking plug.

Cable entry devices (ie. glands) must maintain the IP rating for the luminaire.

### TEMPERATURE

Gas environments: T3, T4, T5 & T6 dependant on gas and ambient temperature.  
Dust environments: T100°C.

### AMBIENT TEMPERATURE

VL114E	-15°C to +60°C
VL114S	-45°C to +60°C

### MATERIALS

Enclosure	Polycarbonate moulding.
Gasket	Silicone.
External Fasteners	Stainless steel.

### WEIGHT

VL114E	2.5kg	VL114S	1.8kg
--------	-------	--------	-------

### SUSPENSION

Standard mounting is direct to the main housing.

## ORDERING REFERENCE

Std. Cat Ref.	Wattage	Lamp Type
PATE/111/CF	1x11W	Compact Fluorescent
PATE/218/CF	2x18W	Compact Fluorescent
PATE/111/CF/EM*	1x11W	Compact Fluorescent

\*Non maintained as standard

All Pathfinder models are supplied complete with lamps.

## OPTIONS - SUFFIX TO CATALOGUE REF.

/120	Specific voltage 110/130V (for VL114E non maintained only)
/25	25mm Entries
/MEM	Maintained emergency (220-254V only)
/M20	M20 Threaded entry pad c/w earth lead to T/Block
/M25	M25 Threaded entry pad c/w earth lead to T/Block
/IEC	Supplied with IEC Ex certification label

## ACCESSORIES

Lamp assembly (11watt)  
SPATE-00004

Lamp assembly (18watt)  
SPATE-00001

Exit sign, rigid plastic, chain hanging  
(no direction)  
SPATE-00005

Exit sign, rigid plastic, chain hanging (up arrow)  
SPATE-00006

Exit sign, rigid plastic, chain hanging  
(down arrow)  
SPATE-00007

Exit sign, rigid plastic, chain hanging  
(right arrow)  
SPATE-00008

Exit sign, rigid plastic, chain hanging  
(left arrow)  
SPATE-00009

Exit sign, rigid plastic, chain hanging (double  
sided arrow left & arrow right)  
SPATE-00011

Exit sign, adhesive (up, down, left and right)  
SPATE-00012

To calculate photometric values for lighting design, please use the free Victor LiteGuide™ software package.  
To request your copy, please contact your local Victor agent or download a copy from the website.  
Design is subject to alteration without notice. Please refer to the website [www.victor-lighting.com](http://www.victor-lighting.com) for the latest details.  
All products are sold subject to our conditions of sale, available on request.