

TITAN VL38



VL 38 with external reflector

FEATURES AND BENEFITS

Extreme ambient temperature range • Maintenance free QL option • Extensive range of lamp types

CERTIFICATION & APPROVALS

ATEX Certificate SIRA01ATEX1049

Ex II 2 GD Ex de II C T4*

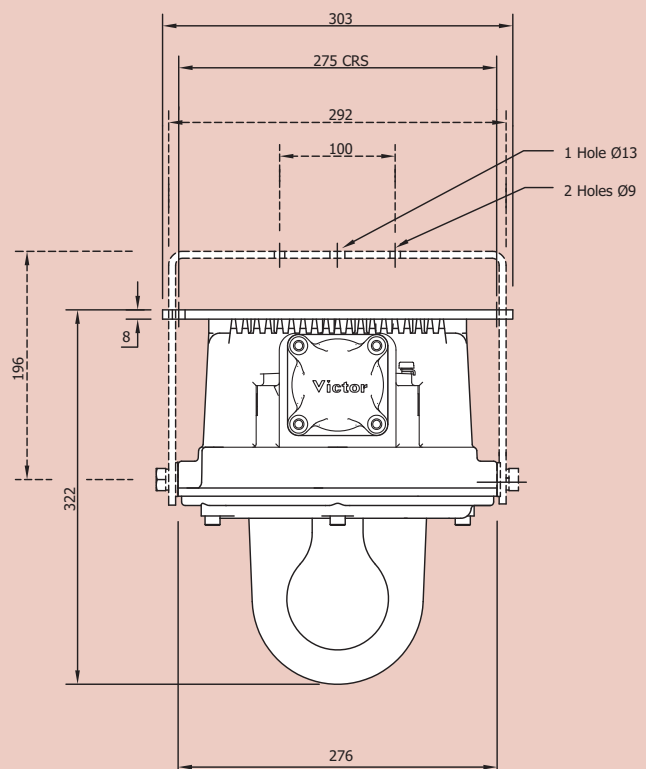
Ambient temperature range:
-20°C to +68°C* (standard)
-50°C to +68°C* (low temperature)

Ingress protection to IP66 & IP67

GOST-R Approved

* Refer to matrix for lamp
'T' rating on pendant mounted versions.

DIMENSIONS



ZONE 1 TYPE Ex 'd' FLAMEPROOF

ORDERING REFERENCE

Std. Cat Ref.	Wattage	Lamp Type	Lampholder	T Class	T °C(Dust)	Ambient °C
Ti8D/050/HS	50W	HPS	E27	T4	110	(-50°C**) -20°C to +60°C
Ti8D/050/MV	50W	Mercury Vapour	E27	T4	120	-20°C to +60°C
Ti8D/070/HS	70W	HPS & Metal Halide	E27	T4	110	(-50°C**) -20°C to +60°C
Ti8D/080/MV	80W	Mercury Vapour	E27	T4	120	-20°C to +60°C
Ti8D/125/MV	125W	Mercury Vapour	E27	T4	123	-20°C to +48°C
Ti8D/100/GL	100W	GLS	E27	T4	108	(-50°C**) -20°C to +68°C
Ti8D/200/GL	200W	GLS	E27	T4	115	(-50°C**) -20°C to +55°C
Ti8D/113/CF	1x10/13W	Compact Fluorescent	G24q	T4	85	-20°C to +60°C
Ti8D/118/CF	1x18W	Compact Fluorescent	G24q	T4	85	-20°C to +60°C
Ti8D/126/CF	1x26W	Compact Fluorescent	G24q	T4	85	-20°C to +60°C
Ti8D/213/CF	2x10/13W	Compact Fluorescent	G24q	T4	85	-20°C to +60°C
Ti8D/218/CF	2x18W	Compact Fluorescent	G24q	T4	85	-20°C to +60°C
Ti8D/226/CF	2x26W	Compact Fluorescent	G24q	T4	85	-20°C to +60°C
Ti8D/055/QL	55W	QL	QL	T4	93	-50°C to +63°C
Ti8D/085/QL	85W	QL	QL	T4	97	-50°C to +57°C

** Requires /LT suffix.

TECHNICAL SPECIFICATION

LAMP TYPES

SON - 50W & 70W
 MBF - 50W, 80W & 125W
 GLS - 200W Max (E27)
 Compact Fluorescent - Single & Twin 10/13W, 18W & 26W
 Philips QL - 55W & 85W

POWER SUPPLY

SON & MBF 220V, 230V, 240V & 254V, 50Hz or 60Hz
 GLS 250V Max
 Compact Fluorescent 220V - 250V 50/60Hz AC and 200V - 310V DC DC
 QL Lamps 200V - 240V 50/60Hz AC/DC (standard)
 110V - 130V 50/60Hz AC/DC (optional)

POWER FACTOR

Better than 0.85 for High Intensity Discharge Luminaire
 Better than 0.95 for QL & Compact Fluorescent Luminaire

TERMINALS

3 core up to 6 mm² conductors with looping.
 Terminals for live, neutral & earth are provided.
 Internally earthed, external earth terminal as standard.

CABLE ENTRIES

Two M20 x 1.5 entries as Standard with an option for two M25 x 1.5 entries. Other cable entries available on request.
 Supplied with 1 x transit plug and 1 x Ex blanking plug.
 Cable entry devices (ie. glands) must maintain the IP rating for the luminaire.

MATERIALS

Main body Marine grade aluminium alloy with full epoxy powder coating.
Lampglass Borosilicate glass.

WEIGHT

HID & QL Luminaire 10.0 kg
 GLS & Compact Fluorescent 7.5 kg

SUSPENSION

Mounting supplied with luminaire is for pendant operation suitable for two Ø 10mm fasteners on 275mm centres.
 Optional stirrup mounting available for wall/directional applications.

OPTIONS - SUFFIX TO CATALOGUE REF.

/60	60Hz
/120	120V - QL lamps only
/M25	M25 Entries
/S	Stirrup version for universal mounting***
/SLC	Sealed lamp chamber - Maintenance free (QL version)
/LT	Low temperature version (-50°C)

*** T rating and ambient may vary for universal (stirrup) mounting. Please contact technical sales.

ACCESSORIES

Stirrup mount bracket
 STI8D-00001

Wire Guard
 STI8D-00002

External Reflector
 STI8D-00003

Pole clamp
 STI8D-00005
 (For use with 40-60mm dia. pole)



Email: info@victor-lighting.com
www.victor-lighting.com

PO Box 5571, Glasgow
 G52 9AH, Scotland
 Tel: +44 (0)141 810 9644
 Fax: +44 (0)141 810 9642

Revision 1
 August 2008

To calculate photometric values for lighting design, please use the free Victor LiteGuide™ software package.
 To request your copy, please contact your local Victor agent or download a copy from the website.
 Design is subject to alteration without notice. Please refer to the website www.victor-lighting.com for the latest details.
 All products are sold subject to our conditions of sale, available on request.