

FLOODLIGHT VL100



FEATURES AND BENEFITS

Compact light weight design • Integral control gear • Hinged lid assembly for easy re-lamping • Range of lamp options

CERTIFICATION & APPROVALS

ATEX Certificate SIRA 00ATEX 4117

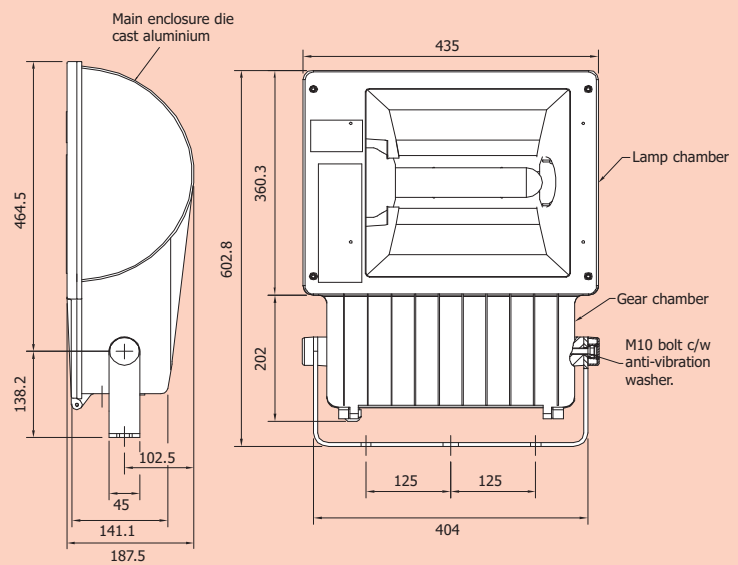
⊕ II 3 GD Ex nR II T3 T200°C

Ambient temperature range:
-50°C to +50°C

Ingress protection to IP66 and IP67

TIS Approved

DIMENSIONS



3 mounting holes:
centre hole Ø21mm
outer holes Ø14mm

Dimensions in millimetres

ZONE 2 TYPE Ex 'n' RESTRICTED BREATHING

ORDERING REFERENCE

Std. Cat Ref.	Wattage	Lamp Type	Lampholder	T Class	T °C(Dust)	Ambient °C
V10N/150/MS	150W	HPS & Metal Halide	E40	T3	200	-50°C to +50°C
V10N/250MS	250W	HPS & Metal Halide	E40	T3	200	-50°C to +50°C
V10N/250/MV	250W	Mercury Vapour	E40	T3	200	-50°C to +50°C
V10N/400/MS	400W	HPS & Metal Halide	E40	T3	200	-50°C to +50°C
V10N/400/MV	400W	Mercury Vapour	E40	T3	200	-50°C to +50°C
V10N/500/TH	500W	Tungsten Halogen	E40	T3	200	-50°C to +50°C

TECHNICAL SPECIFICATION

LAMP TYPES

SON - 150W Tubular
SON and MBI - 250W Tubular
SON and MBI - 400W Tubular
Tungsten Halogen - 500W Max

POWER SUPPLY

220V, 230V, 240V and 250V 50/60Hz
250V Max for halogen & GLS

POWER FACTOR

Greater than 0.85

TERMINALS

3 core up to 4 mm² conductors with looping. Terminals for live constant, neutral & earth are provided. Internally earthed.

CABLE ENTRIES

2 x M20 cable entries supplied with 1 x transit plug and 1 x Ex blanking plug.

Cable entry devices (i.e. glands) must maintain both the restricted breathing properties and the IP rating of the luminaire.

TEMPERATURE

Gas environments: T3
Dust environments: T200°C

MATERIALS

Main body LM6 aluminium alloy.
Lampglass Toughened glass.

WEIGHT

400W SON Lamps - 16Kg

SUSPENSION

Galvanised steel stirrup bracket with protractor for elevation angle setting.

OPTIONS - SUFFIX TO CATALOGUE REF.

/60 60Hz
/M Medium beam reflector

ACCESSORIES

Pole mount bracket
S2400-0002

Spigot mount bracket
S2400-0007

Victor

Lighting

PO Box 5571, Glasgow
G52 9AH, Scotland
Tel: +44 (0)141 810 9644
Fax: +44 (0)141 810 9642

Email: info@victor-lighting.com
www.victor-lighting.com

Revision 1
August 2008