

REGENT VL71



FEATURES AND BENEFITS

Lightweight Stainless Steel Construction • High efficiency symmetrical reflector • Stainless steel cover with quick release fasteners

CERTIFICATION & APPROVALS

IEC Ex Certificate IECEx BAS070025X
ATEX Certificate Baseefa07ATEX0119X

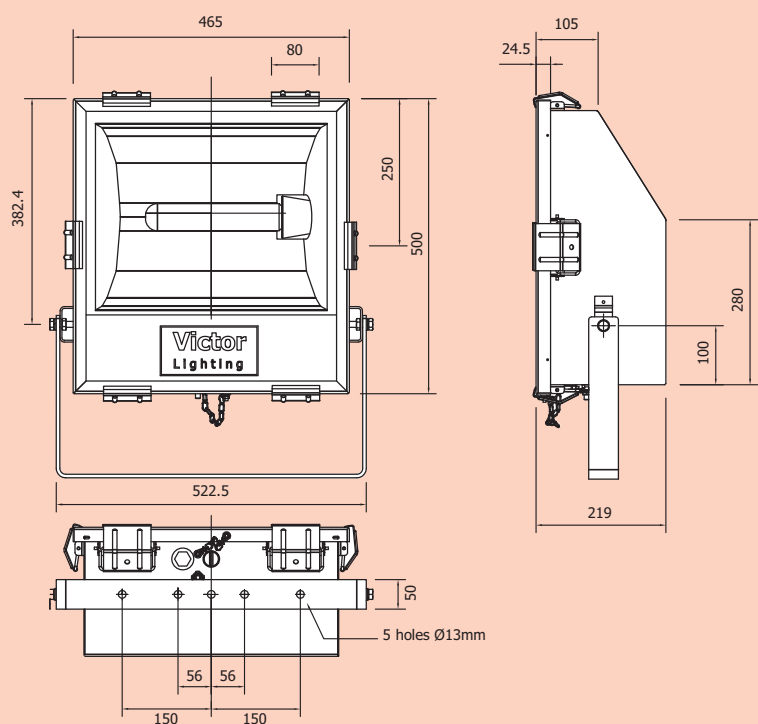
Ex II 3 GD Ex nA nR II

Ambient temperature range:
-50°C to +60°C*

Ingress protection IP66 and IP67

* Refer to matrix for lamp,
'T' rating.

DIMENSIONS



Dimensions in millimetres

ZONE 2 TYPE Ex 'n' RESTRICTED BREATHING

ORDERING REFERENCE

Std. Cat Ref.	Wattage	Lamp Type	Lampholder	T Class	Ambient °C
REGN/150/MS	150W	HPS & Metal Halide	E40	T4	-50°C to +60°C
REGN/250/MS	250W	HPS/Metal Halide	E40	T4	-50°C to +55°C
REGN/400/MS	400W	HPS/Metal Halide	E40	T3	-50°C to +50°C
REGN/500/TH	500W	Tungsten Halogen	E40	T3	-50°C to +55°C
110/120V Cat Ref.					
REGN/150/MS/120**	150W	HPS/Metal Halide	E40	T4	-50°C to +55°C
REGN/250/MS/120**	250W	HPS/Metal Halide	E40	T4	-50°C to +55°C
REGN/400/MS/120***	400W	HPS/Metal Halide	E40	T3	-50°C to +55°C

** c/w IEC control gear 110/120V supply

*** c/w Transformer box for 110/120V supply (IEC control gear fitted)

TECHNICAL SPECIFICATION

LAMP TYPES

SON/MBI = 150W, 250W, 400W (Tubular)
Tungsten Halogen = 500W

POWER SUPPLY

220V, 230V, 240V, 254V 50Hz

POWER FACTOR

Better than 0.85

TERMINALS

3 core up to 6 mm² conductors with looping. Terminals for live constant, neutral & earth are provided. Internally earthed, external earth terminal as standard.

CABLE ENTRIES

2 x M20 cable entries.
Supplied with 1 x transit plug and 1 x Ex blanking plug.
Cable entry devices (i.e. glands) must maintain both the restricted breathing properties and the IP rating of the luminaire.

TEMPERATURE

Refer to matrix above for maximum ambient temperature for lamp, T rating & orientation.

MATERIALS

Main Body	Epoxy painted marine grade stainless steel.
Lampglass	Toughened glass.
Gasket	Silicone rubber.
External Fasteners	Stainless steel.

WEIGHT

150W - 19Kg
250W - 20.5Kg
400W - 21Kg
500W - 16.5Kg
110/120V - 23Kg

MOUNTING

Stainless steel stirrup bracket.

OPTIONS - SUFFIX TO CATALOGUE REF.

/60	60Hz
/M25	M25 Entries
/TI	Timed cut-out ignitor
/WA	Suitable for wire guard or anti-glare shield
/N	Narrow beam reflector
/AF	Stirrup with fixings for spigot mount bracket

ACCESSORIES

Wire guard
S8644-0004
(Requires /WA suffix when ordering)

Pole mount bracket
S2400-0002

Spigot mount bracket
S2400-0007
(Requires /AF suffix when ordering)

Anti-glare shield
S8644-0002
(Requires /WA suffix when ordering)



PO Box 5571, Glasgow
G52 9AH, Scotland
Tel: +44 (0)141 810 9644
Fax: +44 (0)141 810 9642

Email: info@victor-lighting.com
www.victor-lighting.com

Revision 2
September 2008