

# VANGUARD VL20



## FEATURES AND BENEFITS

Easily installed and maintained • Suitable for low temperature applications • Restricted breathing enclosure

## CERTIFICATION & APPROVALS

**ATEX** Certificate SIRA01 ATEX4234

Ex II 3 G Ex nR II T4

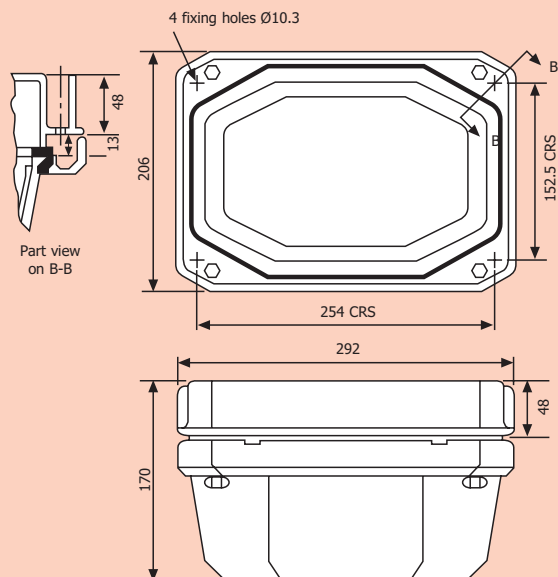
Ambient temperature range:  
-50°C to +35°C\*

Ingress protection to IP66 and IP67

**GOST-R** Approved

\* Refer to matrix for lamp,  
'T' rating.

## DIMENSIONS



Dimensions in millimetres

# ZONE 2 TYPE Ex 'n' RESTRICTED BREATHING

## ORDERING REFERENCE

Std. Cat Ref.	Wattage	Lamp Type	Lampholder	T Class	T °C(Dust)
VANN/070/HS	70W	HPS	E27	T4	-50°C to +35°C
VANN/080/MV	80W	Mercury Vapour	E27	T4	-50°C to +30°C
VANN/150/GL	150W	GLS	E27	T3	-50°C to +35°C

## TECHNICAL SPECIFICATION

### LAMP TYPES

SON - 70W  
MBF - 80W  
GLS - 150W (max).

### POWER SUPPLY

HID: 220V / 230V / 240V / 254V 50Hz (60Hz option).  
GLS: 250V (max).

### POWER FACTOR

Better than 0.85.

### TERMINALS

3 core up to 4 mm<sup>2</sup> conductors with looping. Through wiring facility as standard. Terminals for live constant, neutral & earth are provided. External earth terminal as an option.

### CABLE ENTRIES

Side entry luminaire, 3 x M20 cable entries.

Supplied with 1 x transit plug and 2 x Ex blanking plugs.

Cable entry devices (i.e. glands) must maintain both the restricted breathing properties and the IP rating of the luminaire.

### MATERIALS

**Main Body** LM6 die cast aluminium, with epoxy paint finish.  
**Lampglass** Borosilicate (diffused pattern).  
**Gasket** Silicon.  
**External Fasteners** Stainless steel.

### WEIGHT

Discharge lamp versions - 6.5Kg.  
GLS version - 4.85Kg.

### SUSPENSION

Four Ø10.3mm fixing holes are provided outside of the restricted breathing enclosure.

The luminaire may be mounted in any orientation other than horizontally - glass up.

GLS versions for 'glass up' mounting are available on request.

## OPTIONS - SUFFIX TO CATALOGUE REF.

/60 60Hz

## ACCESSORIES

Wire guard  
SVANE-00001

**Victor**

Lighting

PO Box 5571, Glasgow  
G52 9AH, Scotland  
Tel: +44 (0)141 810 9644  
Fax: +44 (0)141 810 9642

Email: [info@victor-lighting.com](mailto:info@victor-lighting.com)  
[www.victor-lighting.com](http://www.victor-lighting.com)

Revision 1  
August 2008