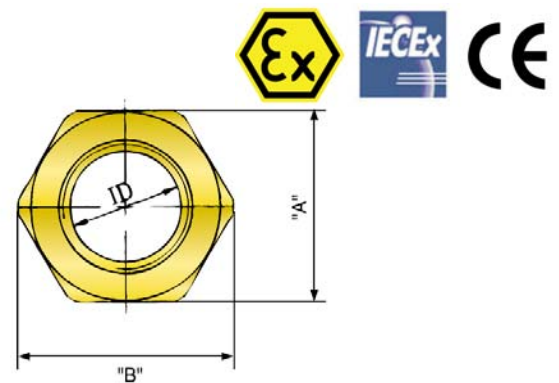
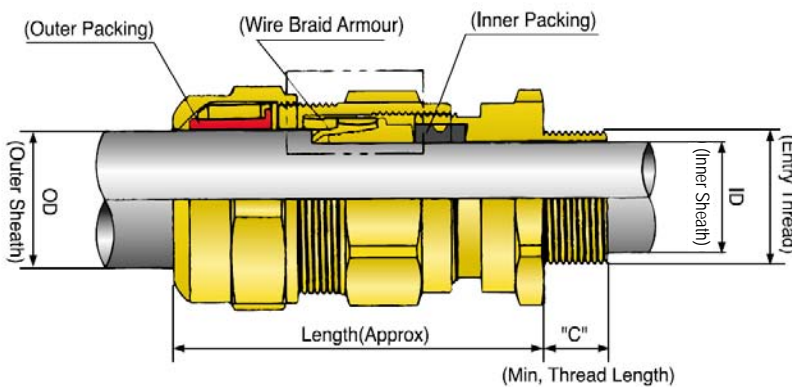


Armoured Glands – AAG Range

Applications

- Suitable for wire armour and wire braid type cables
- Double Compression seal for indoor and Outdoor use
- Operating Temperature : -60°C to +80°C
- Materials : Brass or Brass nickel plated
- Suitable for use in Zone1, Zone2, Zone21 and Zone22 areas. Gas Groups, IIA, IIB and IIC
- Flameproof Exd and Increased Safety Exe
- Ingress Protection : IP66/67 to IEC529
- Certificate Nos : Baseefa09ATEX0186X, IEC Ex: IECEx BAS 09.0088X



Part Number	Entry Thread size			Cable Acceptance Details							Hexagon Dimensions		Thread Length "c"		
				Inner Sheath 'ID'				Outer Sheath 'OD'		Armour Size					
	Metric	NPT	PG	Standard Seal	Alternative Seal (S)	Min.	Max.	Min.	Max.		Min/Max.	Across Flats "A"	Across Corners "B"	Metric	NPT
AAG-2016	M16/M20	1/2"	PG13.5	3.0	6.5	-	-	7.0	12.0	0/0.7	24	26.8	15	20	15
AAG-20a	M20	1/2"	PG13.5	4.5	8.0	-	-	7.0	12.0	0/0.7	24	26.8	15	20	15
AAG-20b	M20	1/2"	PG13.5	7.5	10.5	-	-	11.0	16.0	0/0.7	24	26.8	15	20	15
AAG-20c	M20	1/2"	PG13.5	8.5	11.9	-	-	11.0	16.0	0/0.7	24	26.8	15	20	15
AAG-20d	M20	1/2"	PG13.5	11.0	14.3	8.5	13.0	14.3	20.0	0/0.7	30	33.5	15	20	15
		3/4"												20	
AAG-25a	M25	3/4"	PG21	13.0	20.2	9.5	15.4	18.5	26.0	0/0.7	36	40.5	15	20	15
		1"												25	
AAG-32	M32	1"	PG29	20.0	26.4	15.5	21.2	24.0	33.0	0/0.7	45.8	51.2	15	25	15
		1 1/4"												25.6	
AAG-40	M40	1 1/4"	PG36	25.0	31.7	22.0	28.0	30.0	41.0	0/0.7	55	61.5	15	25.6	15
		1 1/2"												26	
AAG-50	M50	1 1/2"	PG42	31.5	42.3	27.5	36.5	38.0	51.0	0/1.0	65	72.8	15	26	15
		2"			44.4									27	
AAG-63	M63	2"	-	42.5	54.3	39.0	48.0	48.0	64.0	0/1.0	80	89.5	15	27	-
		2 1/2"			56.3									40	
AAG-75	M75	2 1/2"	-	54.5	65.3	48.5	58.3	60.0	77.0	0/1.0	95	104.5	15	40	-
		3"			68.2									41.5	
AAG-80	M80	3 1/2"	-	67	73	-	-	75	89.5	0/1.0	107	114	20	42.7	-
AAG-90	M90	3 1/2"	-	67	77.6	-	-	75	89.5	0/1.0	115	123	20	42.7	-
AAG-100	M100	4"	-	76.5	91.6	-	-	88	104.5	0/1.0	128	139	20	44	-

Accessories

Lock-Nut, Sealing washer, Serrated washer, Earth Tag and PVC Shroud are available