

# APC Photocell

IP66/67

The Ablux APC photocell offers the user the ability to control the switching of lighting in a Zone 1 hazardous area, without the need for major rewiring of existing circuits. The APC uses tried and tested circuitry and can assist the end user in helping to reduce carbon emissions by switching off unwanted lighting automatically. The unit is ingress protected to IP66/67 according to EN60529 and deluge protected to DTS001.



## Apparatus Ratings

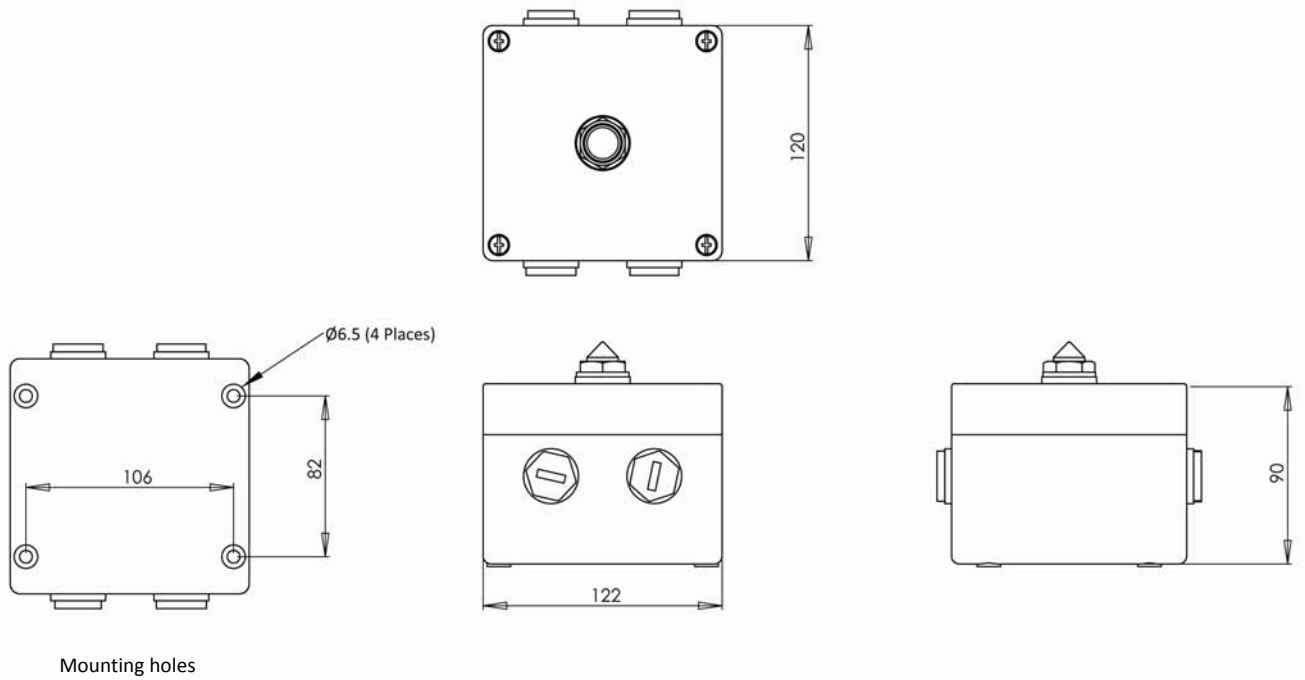
Product Reference	Lamp Types	Current Rating	Light level	Temperature Rating	Ambient Temperature	Weight (Kg)
APC10	All	10A	70lux*	T4	-50°C to 65°C	4

\*Alternative switching levels are available. Please contact the sales office to discuss requirements

## Luminaire Specifications

Apparatus Type	Photocell, Zone 1
Ingress Protection	IP66/67 to EN60529
Material	Glass reinforced polyester housing, polycarbonate sensor window.
Distribution/output	N/A
Lamp Types	Suitable for use with all lamp types
Lamp Cap	N/A
Lamp Change	N/A
Cable Entry	4 x M20 tapped entries.
Terminals	Looping terminals for up to 6mm <sup>2</sup> conductors plus 6mm <sup>2</sup> luminaire feed.
Control Gear	Electronic with on load switching up to 10A
Orientation	Universal
Mounting	Via rear mounting holes.
Supply	Standard: 220 to 254V 50/60Hz Option: other voltages available on request
Certification	
Area Classification	Group II Category 2 G D (Zone 1)
Type of Protection	Ex em ib (encapsulation, increased safety & intrinsic safety)
Apparatus Coding	II 2 GD Ex em ib II T4 (-50°C < Tamb < 65°C)

## Apparatus Dimensions



## Options

M25 Cable entries	/M25
Non standard voltage	/110 (check with sales office to ensure availability)
Lighting level	/L85 (contact sales office to discuss requirements)

Add the required suffix to the product reference, for example APC10/M25

## Accessories

External Mounting Feet	APC-FM
------------------------	--------