

# BExCS110-05D & BExDCS110-05D ATEX EEx Combined Alarm Sounder & Beacon



- CS110-05D : EEx d IIB T4 (Tamb. -50 to +55°C)
- ATEX/ CENELEC / FTZU / IECEx / GOST R
- Voltages : 12vdc;24vdc;48vdc;115vac;230vac

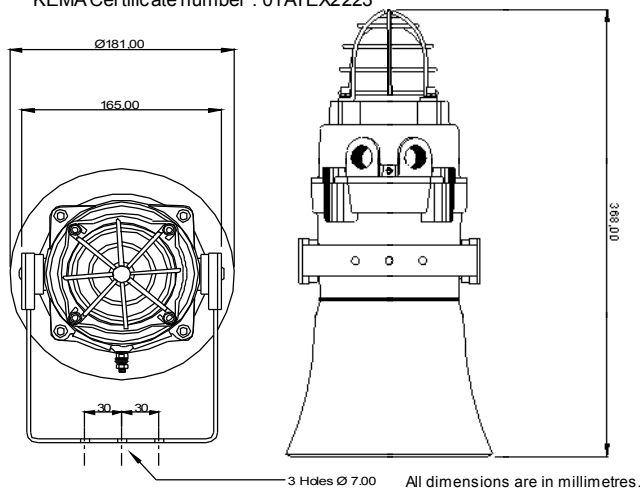
**Sounder.**

- Maximum output : 117dB(A) @ 1 metre  
Nominal output : 110dB(A) @ 1m +/- 3dB - Tone 2.
- 32 alarm tones (UKOOA/PFEER compliant)
- 3 stage alarm
- Volume control (except 12vdc unit)
- Automatic synchronisation on multi-sounder systems
- 100m effective range @ 1kHz
- Negative or positive remote switching

**Beacon.**

- 5 Joule Xenon : 1Hz (60 FPM) (5 Ws).
- Six lens colours available : Amber, Blue, Clear, Green, Red & Yellow
- Automatic synchronisation on multi-beacon systems
- Beacons can be set to 'flip-flop' alternating mode with other units on multi-beacon systems
- Tube life : emissions reduced to 70% after 8 million flashes
- Xenon tubes mechanically secured against shock/vibration

- CS110-05D : IP67
- Enclosure material : Marine grade LM6 Aluminium
- Chromated & powder coated finish - good resistance to humidity and salt spray environments.
- BExCS110-05D Horn : High impact UL94 V0 & 5VA FR ABS
- BExDCS110-05D Horn : Anti-Static High impact ABS
- Operating temperature : -50 to +55°C
- Storage temperature : -50 to +70°C
- Large range of certified end of line resistors.
- Weight : DC:4.80kg AC: 5.00kg
- KEMA Certificate number : 01ATEX2223



**Also available :**

- BEx(D)S110 & S120 EEx d & EEx de sounder units with output levels of 117dB(A)
- Programmable versions with 45 tones and 4 stages.
- BEx(D)A110 & A120 EEx d & EEx de Voice Annunciation units.
- BExBG EEx d & EEx de 5, 10 & 15 Joule Xenon beacons
- BEx(D)L15 & 25 watt EEx d & EEx de loudspeakers.
- BEx(D)TS110 & BExTBG05 EEx d Telephone ringers and beacons.



**BExCS110-05D**

Flameproof combination sounders & beacons  
Zones 1 & 2  
⊕ II 2G EEx d IIB T4

**BExDCS110-05D**

Flameproof & Dust ignition proof combination sounders & beacons  
Zones 1, 2, 21 & 22  
⊕ II 2GD EEx d IIB T4 T100°C

**Installation Features.**

- Very large termination area.
- Dual M20 ISO cable gland entries (supplied with one stopping plug).
- Ratchet adjustable stainless steel 'U' bracket for positive adjustment under harsh conditions.
- IN & OUT terminals
- Terminals accept 0.5 to 4.0mm<sup>2</sup> cables.
- Line monitoring : Min. 500 Ohm 2w, or 3k3 Ohm 0.5w resistor, or diode within EExd enclosure (dc versions)
- Sounder & beacon may be connected from a single supply for simultaneous operation or from separate supplies for independent operation.

**Input voltages and current consumption for the sounder component:**

Voltage :	12vdc	24vdc	48vdc	115vac 50/60Hz	230vac 50/60Hz
Voltage range :	+/-25%	+/-25%	+/-25%	+/-10%	+/-10%
Current mA :	195mA	250mA	130mA	140mA	56mA

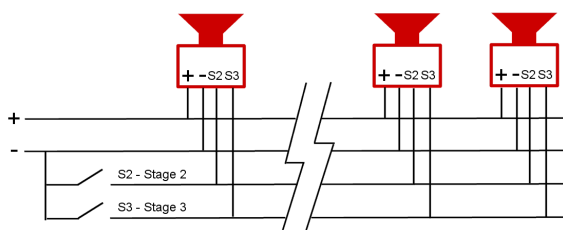
**Input voltages and current consumption for the beacon component:**

Voltage :	12vdc	24vdc	48vdc	115vac 50/60Hz	230vac 50/60Hz
Voltage range :	10-14v	20-28v	42-54v	+/-10%	+/-10%
Current mA :	750mA	270mA	180mA	140mA	55mA

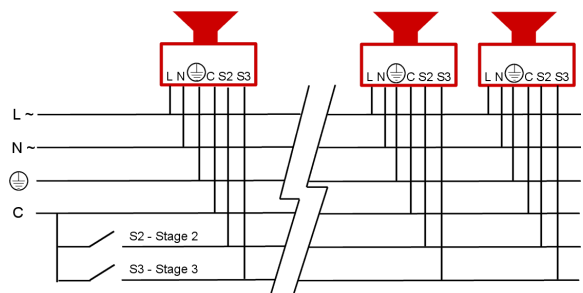
Stage 1	Frequency Description	Max dB@ 1m	Stage 2	Stage 3
Tone 1	1000Hz Continuous - PFEER Toxic Gas	110dB(A)@1m	Tone 31	Tone 11
Tone 2	800/1000Hz @ 0.25 sec Alternating	110dB(A)@1m	Tone 17	Tone 5
Tone 3	500/1200Hz @ 0.3Hz 0.5 sec Slow Whoop	110.5dB(A)@1m	Tone 2	Tone 5
Tone 4	800/1000Hz @ 1Hz Sweeping	110dB(A)@1m	Tone 6	Tone 5
Tone 5	2400Hz Continuous	109dB(A)@1m	Tone 3	Tone 27
Tone 6	2400/2900Hz @ 7Hz Sweeping	109dB(A)@1m	Tone 7	Tone 5
Tone 7	2400/2900Hz @ 1Hz Sweeping	110dB(A)@1m	Tone 10	Tone 5
Tone 8	500/1200/500Hz @ 0.3Hz Sweeping	110.5dB(A)@1m	Tone 2	Tone 5
Tone 9	1200/500Hz @ 1Hz - DIN / PFEER P.T.A.P.	110.5dB(A)@1m	Tone 15	Tone 2
Tone 10	2400/2900Hz @ 2Hz Alternating	109dB(A)@1m	Tone 7	Tone 5
Tone 11	1000Hz @ 0.5Hz Intermittent	110dB(A)@1m	Tone 31	Tone 1
Tone 12	800/1000Hz @ 0.875Hz Alternating	110dB(A)@1m	Tone 4	Tone 5
Tone 13	2400Hz @ 1Hz Intermittent	109dB(A)@1m	Tone 15	Tone 5
Tone 14	800Hz 0.25sec on, 1 sec off Intermittent	103dB(A)@1m	Tone 4	Tone 5
Tone 15	800Hz Continuous	103dB(A)@1m	Tone 2	Tone 5
Tone 16	660Hz 150mS on, 150mS off Intermittent	104dB(A)@1m	Tone 18	Tone 5
Tone 17	544Hz (100mS)/440Hz (400mS) - NF S 32-001	107dB(A)@1m	Tone 2	Tone 27
Tone 18	660Hz 1.8sec on, 1.8sec off Intermittent	105dB(A)@1m	Tone 2	Tone 5
Tone 19	1.4KHz-1.6KHz 1s, 1.6KHz-1.4KHz 0.5s -NFC48-265	117dB(A)@1m	Tone 2	Tone 5
Tone 20	660Hz Continuous	104dB(A)@1m	Tone 2	Tone 5
Tone 21	554Hz/440Hz @ 1Hz Alternating	107dB(A)@1m	Tone 2	Tone 5
Tone 22	544Hz @ 0.875 sec. Intermittent	107dB(A)@1m	Tone 2	Tone 5
Tone 23	800Hz @ 2Hz Intermittent	103dB(A)@1m	Tone 6	Tone 5
Tone 24	800/1000Hz @ 50Hz Sweeping	107dB(A)@1m	Tone 29	Tone 5
Tone 25	2400/2900Hz @ 50Hz Sweeping	109dB(A)@1m	Tone 29	Tone 5
Tone 26	Bell	117dB(A)@1m	Tone 2	Tone 1
Tone 27	554Hz Continuous	107dB(A)@1m	Tone 26	Tone 5
Tone 28	440Hz Continuous	104dB(A)@1m	Tone 2	Tone 5
Tone 29	800/1000Hz @ 7Hz Sweeping	106dB(A)@1m	Tone 7	Tone 5
Tone 30	420Hz @ 0.625 sec Intermittent - Australian Alert	104dB(A)@1m	Tone 32	Tone 5
Tone 31	1200/500Hz @ 1Hz - DIN / PFEER P.T.A.P.	110.5dB(A)@1m	Tone 11	Tone 1
Tone 32	500-1200Hz 3.75sec /0.25sec. - Australian Evac.	110.5dB(A)@1m	Tone 26	Tone 1

Note: SPL readings are at nominal voltage, typically +/-3dB and are for indication purposes only. Where applicable, reduce outputs by 5dB when a 10-30Vdc unit is supplied 12Vdc.

DC unit wiring configuration.



AC unit wiring configuration.



Ordering code :

BExCS110-05D

24

DC

AM

Product
BExCS110-05D
BExDCS110-05D

Voltage
12
24
48
115
230

Supply
DC
AC

Lens
AM Amber
BL Blue
CL Clear
GN Green
RD Red
YW Yellow

N.B IMPORTANT NOTICE : THE BExCS110-05D, BExCA110-05D, BExCL15-05D, BExCBG05-05D ARE NOT FOR SALE, RE-SALE, INSTALLATION, OR USE WITHIN THE UNITED STATES OF AMERICA AS A SOLE, MULTIPLE, INTEGRATED, OR INCORPORATED UNIT.