

# BusBar<sub>Box</sub>

11kV

This 11kV busbar enclosure is designed to safely carry high voltage supplies with extreme current loadings in Zone 1 hazardous areas. Suitable for connectors over 400mm<sup>2</sup>, the enclosure is capable of connecting three phases plus neutral and up to six conductors per phase.



- Up to 3200A per phase
- Fault rated 90kA for 0.1 second
- DTS-01 deluge tested enclosure
- Heavy duty machined hinges with lift off cover pad-lockable cover

## Enclosure Ratings

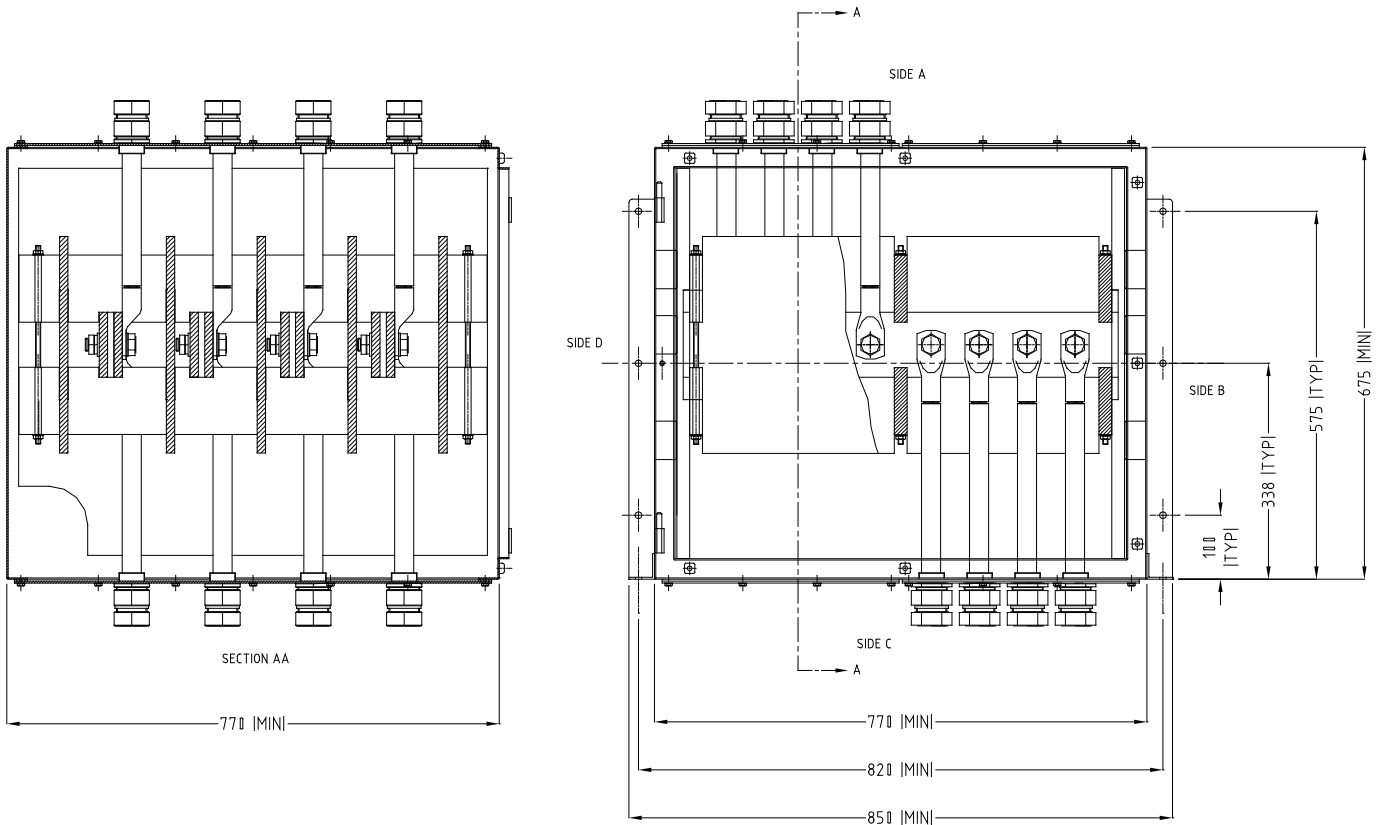
Product Reference*	Width (mm)	Height (mm)	Depth (mm)	Maximum Voltage (kV)	Maximum Current (A)	Max. Ways	Max No. Conductors per Way	Approx. Weight (kg)	Suits Cable Type
BUSBARBOX 1	770	675	770	11	3000	4	6	255	Single core
BUSBARBOX 2	770	1250	770	11	3000	4	6	300	Multi core
BUSBARBOX 3	1000	675	770	11	3000	4	6		Single core
BUSBARBOX 4	1000	1250	770	11	3000	4	6		Multi core
BUSBARBOX 5	1250	675	770	11	3000	4	6		Single core
BUSBARBOX 6	1250	1250	770	11	3000	4	6		Multi core

\* Available as Type A = Bottom Entry Only Configuration or Type B = Through Box Configuration

## Standard Specifications

Enclosure Type	High Voltage
Maximum Voltage	11kV
Maximum Current	Up to 3000A standard, 3200A optional
Ingress Protection	IP66 to EN60529, Type 4X, DTS-01
Impact Resistance	>7Nm
Material	2mm 316L Stainless Steel (EN 1.4404) enclosure with orbital finish, silicone gasket and captive 316 stainless steel fasteners, 5mm 316L (EN 1.4404) Stainless Steel gland plates
Crimp Lugs	16mm <sup>2</sup> to 800mm <sup>2</sup>
Earthing	Via studs on enclosure, door and gland plates
Mounting	Via heavy duty 3mm thick external angle frames
<b>Certification</b>	
Area Classification	Zone 1 & 21, Gas and Dust / Class 1 Division 2 / InMetro
Type of Protection	Ex e (Increased Safety), Ex tb (Dust Protected)
Apparatus Coding	Ex e IIC T5/T6 Gb, Ex tb IIIC T65°C /T55°C Db
Ambient Temp Rating	-40°C to +40°C T5/T6, -40°C to +60°C T6
Certificate Number	ATEX: Sira 99ATEX3177 / IECEx: SIR 12.0155 / InMetro: TÜV 11.0322

## Dimensions



## Options

ACH	Anti-condensation heater
EP	Electro-polished
PS	Epoxy powder coated, smooth finish (RAL colour may be specified)
PT	Epoxy powder coated, Hammer Grey

Add the required suffix to the product reference.

Example: BUSBARBOX2A/ACHPS = Bus Bar box, 6 x conductors per phase top entry and 3 x conductor per phase bottom entry, fitted with anti-condensation heater and epoxy powder coated with a smooth finish.

## Accessories

ABDM2010SS	M20 Breather drain
ABDM2510SS	M25 Breather drain