



## INCREASED SAFETY TYPE Ex 'e' RECESSIBLE FLUORESCENT LUMINAIRE

### APPLICATIONS

- | Zone 1 hazardous gas areas
- | Zone 21 hazardous dust environments
- | Offshore platform accommodation modules
- | Control room lighting where VDU's are present or where low surface brightness is required

### CERTIFICATION AND APPROVAL

ATEX Certificate Baseefa05ATEX0236

 II2GD EEx eqm II T4 Tamb 55°C

Ambient temperature range:

-40°C to +45°C (insulated)

-40°C to +55°C (non-insulated)

Ingress protection to IP65 to EN60529



### FEATURES AND BENEFITS

- | Suitable for various ceiling types
- | Automatic lamp de-energisation on opening
- | Screwless mains terminals
- | Resistant to voltage fluctuations
- | Ingress protection to IP65
- | Electronic control gear gives 50/60Hz operation, high power factor correction and regulation of lamp output
- | B15 SOLAS fire rating
- | End of life (EOL) protection to IEC 60079-7\*

\*All Victor Lighting fluorescent luminaires and ballasts are now certified to the requirements of Annex H of the draft standard IEC 60079-7 edition 4.

# CATEGORY 2 TYPE Ex 'e' INCREASED SAFETY

## TECHNICAL SPECIFICATION

### LAMP TYPES

18W & 36W bi-pin fluorescent (T8)

Available in the following configurations: 2 x 18W, 2 x 36W.

### POWER SUPPLY

220-254V AC/DC.

220-300V DC 50-60Hz.

### POWER CONSUMPTION

2 x 18W - 35W

2 x 36W - 70W

### TERMINALS

3 core up to 6mm<sup>2</sup> max conductors, with looping & through wiring facility.

### CABLE ENTRIES

3 x 20mm holes, two at one end, one at the other end.

### TEMPERATURE

Gas Environments - T4.

Dust Environments - T95°C.

### AMBIENT TEMP RANGE

-40°C to +45°C (insulated)

-40°C to +55°C (non-insulated)

### MATERIALS

Enclosure - White polyester painted zinc coated steel body & frame.

Diffuser - Clear polycarbonate.

Reflector - White polyester painted zinc coated steel.

Gasket - Silicone rubber.

### WEIGHT

2 x 18W - 16Kg.

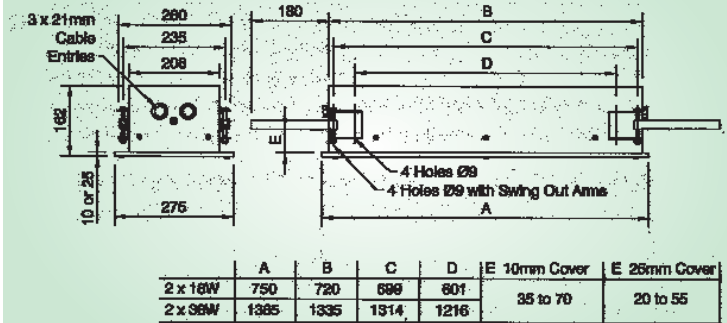
2 x 36W - 23Kg.

### SUSPENSION

Standard mounting is fixed side brackets with swing out arms, with provision for drop rod mounting.

## DIMENSIONS

© 2006



Dimensions in millimetres

To calculate photometric values for lighting design, please use the free Victor "Lite Guide" software package. To request your copy, please contact your local Victor agent or use the request form on the website.

## ORDERING REFERENCE

Std. Cat Ref.	Wattage	Lamp Type
V77E/218/BI	2x18W	Bi-Pin
V77E/236/BI	2x36W	Bi-Pin

## OPTIONS - SUFFIX TO CATALOGUE REF.

/120	Specific voltage (110/130V)
/25	25mm Entries
/EL	Extra live termination facility (compatible with 4-core switched emergency circuits)
/LG	Low glare louvre
/PD	Prismatic diffuser
/PC	Plasterboard (solid) ceiling

## ACCESSORIES

There are no accessories for this product