

FLAMEPROOF TYPE Ex 'd' ELECTRONIC FLUORESCENT LUMINAIRE

APPLICATIONS

- | Zone 1 hazardous gas areas
- | Zone 21 hazardous dust environments
- | General purpose lighting
- | Chemical and pharmaceutical industries
- | Spray paint booths
- | Gas & dust

CERTIFICATION AND APPROVAL

ATEX Certificate No. SIRA00ATEX1021X

CE Ex II 2 GD EEx d IIC (for 18W Version)

CE Ex II 2 GD EEx d IIB (for 36W & 58W Versions)

18W EEx d IIC T6 (Ta = -20°C to +55°C)

36W EEx d IIB T6 (Ta = -20°C to +53°C)
Or EEx d IIB T5 (Ta = -20°C to +55°C)

58W EEx d IIB T6 (Ta = -20°C to +49°C)
Or EEx d IIB T5 (Ta = -20°C to +55°C)

Ingress protection to IP66, IP67 and IP68

GOST Approved

FEATURES AND BENEFITS

- | Single and twin in same housing for site standardization
- | Quick lamp start, flicker free
- | High frequency electronic control gear reduces running costs by up to 30%
- | Cool running improves T-rating
- | Standard support channel allows for multiple fixing centres and options
- | Suitable for high ambient areas
- | Lightweight and low profile construction

CATEGORY 2 TYPE Ex 'd' FLAMEPROOF

ORDERING REFERENCE

Std. Cat Ref.	Wattage	Lamp Type	Lampholder	T Class	T °C (Dust)	Ambient °C
VISD/218/BI	2x18W	Bi-Pin	T8	T6	85	55
VISD/136/BI	1x36W	Bi-Pin	T8	T6	85	53
			T8	T5	100	55
VISD/236/BI	2x36W	Bi-Pin	T8	T6	85	53
			T8	T5	100	55
VISD/158/BI	1x58W	Bi-Pin	T8	T6	85	49
			T8	T5	100	55
VISD/258/BI	2x58W	Bi-Pin	T8	T6	85	49
			T8	T5	100	55

TECHNICAL SPECIFICATION

LAMP TYPES

T8 Bi-pin fluorescents:
18W (600mm luminaires)
36W (1200mm luminaires)
58W (1500mm luminaires)

POWER SUPPLY

220V-254V, 47/63Hz AC/DC or 100-130V, 47/63 Hz AC/DC

POWER CONSUMPTION

1 x 18W Lamp - 19W at 240V -0.08A
2 x 18W Lamps - 37W at 240V -0.17A
1 x 36W Lamp - 35W at 240V -0.15A
2 x 36W Lamps - 69W at 240V -0.3A
1 x 58W Lamp - 55W at 240V -0.22A
2 x 58W Lamps - 108W at 240V 0.46A

POWER FACTOR

Greater than 0.95

TERMINALS

Up to 6mm². Terminals for live, neutral, earth, and looping are provided. Internally earthed. External earth provided.

CABLE ENTRIES

Two M20 x 1.5, other entries adaptors available on request. The type of cable gland used must maintain the flame proof protection.

TEMPERATURE

Surface temperature classification T5
Ambient temperature range up to -20°C to +55°C
Surface temperature classification T6
Ambient temperature range up to -20°C to +55°C
(See table above)

MATERIALS

Main body LM6 aluminium alloy (Die Cast).
Borosilicate glass overtube, stainless steel reflector.

WEIGHT

2 x 18W Lamps - 9Kg
1 x 36W Lamp - 13Kg
2 x 36W Lamps - 13Kg
1 x 58W Lamp - 15Kg
2 x 58W Lamps - 15Kg

SUSPENSION

Standard support channel supplied will accept Ø10mm fasteners with variable fixing points and compatible with existing cable support systems.

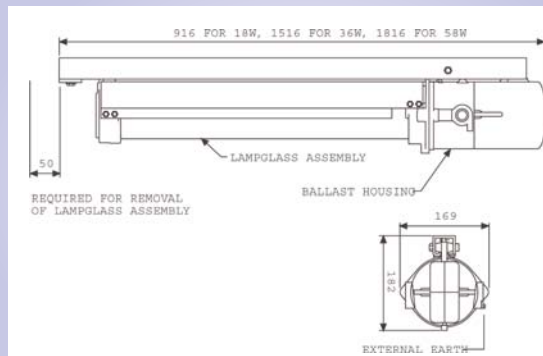
OPTIONS - SUFFIX TO CATALOGUE REF.

/120 Specific voltage (110/130V)
/M25 M25 Entries

ACCESSORIES

Description	Part No.
Ceiling mount bracket (2 required per luminaire)	SEXCE-00001
Pole clamp s/s (35-40mm dia)	SEXCE-00002
Pole clamp s/s (40-50mm dia)	SEXCE-00003
Wall bracket	SEXCE-00009
Wire guard (18W)	SVISD-00008
Wire guard (36W)	SVISD-00009
Wire guard (58W)	SVISD-00010

DIMENSIONS



Dimensions in millimetres

To calculate photometric values for lighting design, please use the free Victor "Lite Guide" software package. To request your copy, please contact your local Victor agent or use the request form on the website.