

MARQUIS II VL53

Victor
Lighting



● End of Life Protection

ZONE 2 & 22 TYPE Ex 'n' FLUORESCENT LUMINAIRE

APPLICATIONS

- Zone 2 and Zone 22 hazardous gas & dust areas
- Petrochemical process areas
- Sewage treatment plants
- Harsh industrial environments
- Pharmaceutical and agricultural industries
- Explosive storage buildings
- Tunnel Lighting

CERTIFICATION AND APPROVAL

ATEX Certificate No. SIRA06ATEX4191X

IEC Ex Certificate No. IECEx SIR 06.0055X

⊕ II 3 GD Ex nA II T4

Ambient temperature range:
-20°C to +45°C*

Ingress protection to IP65

**Dependant on lamp type & voltage*

FEATURES AND BENEFITS

- End of life (EOL) protection
- Stainless steel diffuser clips 3 per side on 18W, 4 on 36W & 5 on 58W versions
- Lamp options 18W, 36W and 58W single and twin versions
- Robust polycarbonate diffuser with stainless steel clips as standard
- Simple to install and maintain
- Slim line and lightweight construction
- High frequency control gear with 50/60Hz operation, high power factor correction and regulation of lamp output
- Through wired as standard

CATEGORY 3 TYPE Ex 'n'

TECHNICAL SPECIFICATION

LAMP TYPES

T8 bi-pin fluorescent
 18W (600mm luminaires)
 36W (1200mm luminaires)
 58W (1500mm luminaires)

Power Supply

220V-254V, 50/ 60Hz AC/DC
 120V, 50/60Hz (option)

POWER CONSUMPTION

2 x 18W Lamps - 30W
 1 x 36W Lamp - 26W
 2 x 36W Lamps - 57W
 1 x 58W Lamp - 40W
 2 x 58W Lamps - 87W

POWER FACTOR

Greater than 0.95

TERMINALS

Suitable for up to 4mm² conductors. Terminals for live, neutral, and earth. Internally earthed.

CABLE ENTRIES

Pre-drilled Ø20mm one at each end.
 Supplied with Ex stopper plugs.
 Approved cable glands should be used to maintain a minimum of IP65.

TEMPERATURE

Ambient temperature range -20°C to +45°C T4.
 Note: 254V upper ambient limit of +35°C

MATERIALS

Body - Corrosion resistant glass reinforced polyester (GRP).
 Diffusers - Polycarbonate.
 Clips - Stainless Steel.
 Gear Tray - Painted mild steel.

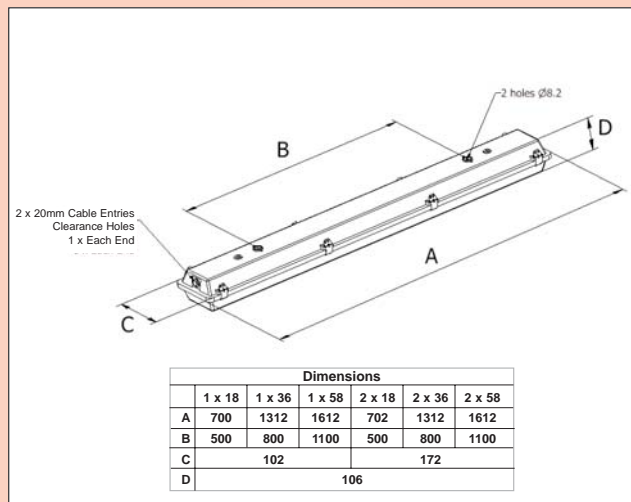
WEIGHT

2 x 18W Lamps - 2.6Kg
 1 x 36W Lamp - 3.3Kg
 2 x 36W Lamps - 3.6Kg
 1 x 58W Lamp - 3.7Kg
 2 x 58W Lamps - 4.1Kg

SUSPENSION

See accessories

DIMENSIONS



To calculate photometric values for lighting design, please use the free Victor "Lite Guide" software package. To request your copy, please contact your local Victor agent or use the request form on the website.

ORDERING REFERENCE

Std. Cat Ref.	Wattage	Lamp Type
MA2N/218/BI	2x18W	Bi-Pin
MA2N/136/BI	1x36W	Bi-Pin
MA2N/236/BI	2x36W	Bi-Pin
MA2N/158/BI	1x58W	Bi-Pin
MA2N/258/BI	2x58W	Bi-Pin

OPTIONS - SUFFIX TO CATALOGUE REF.

/120	120V (NOTE : Upper ambient, limit of +30°C)
/MF	Mains fuse

ACCESSORIES

Description	Part No
Offset ceiling bracket assembly	S3004-100001
Pole mounting bracket assembly (38/50 diameter poles)	S3004-100002
C' form hook type ceiling bracket assembly	S3004-100003
Flush mounted wall bracket assembly	S3004-100004
18W wall mounting outreach bracket (use with S3004-100002)	NPRO4-0008
36W wall mounting outreach bracket (use with S3004-100002)	NPRO4-0012
58W wall mounting outreach bracket (use with S3004-100002)	NPRO4-0022