



## INDUSTRIAL EMERGENCY FLUORESCENT LUMINAIRE

### APPLICATIONS

- | Oil, gas and petrochemical industry
- | Food industries
- | Agriculture
- | Distilleries, water pumping stations and sewage treatment works
- | Marine workshops & machinery rooms

### CERTIFICATION AND APPROVAL

Ingress protection to IP65  
to EN60529

Designed & manufactured to EN60598-1

### FEATURES AND BENEFITS

- | Lamp options 18W, 36W and 58W
- | High frequency electronic control gear
- | Maintained or non-maintained operation
- | Comprehensive range of lamp options
- | Internal battery
- | Simple to install & maintain
- | Lightweight and slim line construction
- | 3 hours emergency duration



Electrical Products

Victor Lighting PO BOX 5571, Glasgow G52 9AH  
Tel: +44 (0) 141 810 9644 Fax: +44 (0) 141 810 9642  
Email: [info@victor-lighting.com](mailto:info@victor-lighting.com)  
[www.victor-lighting.com](http://www.victor-lighting.com)

# INDUSTRIAL AREA FLUORESCENT LUMINAIRE

## TECHNICAL SPECIFICATION

### LAMP TYPES

T8 Bi-pin Lamps:  
18W (600mm luminaires)  
36W (1200mm luminaires)  
58W (1500mm luminaires).

### POWER SUPPLY

220-254V, 50/60Hz (other voltages available)  
120V 50/60Hz (option available)

### POWER FACTOR

Greater than 0.95

### TERMINALS

Suitable for up to 4mm<sup>2</sup> conductors. Terminals for live, live switched, neutral, earth. Internally earthed

### CABLE ENTRIES

Pre-drilled Ø20mm clearance holes, one at each end.  
Supplied with stopper plugs and seals.  
Cable glands must be used to maintain a minimum of IP54 rating.

### MATERIALS

Body - Corrosion resistant glass reinforced polyester (GRP).  
Diffusers - Polycarbonate.  
Clips - Stainless Steel.  
Gear Tray - White polyester painted zinc coated steel

### MOUNTING

8mm clearance holes. sealing washers are provided

### CONTROL GEAR

High frequency electronic ballast

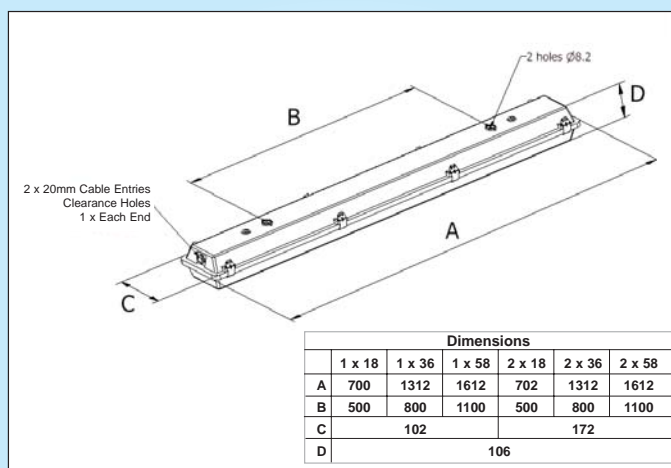
### WEIGHT

1 x 18W Lamps	-	4.3kg
2 x 18W Lamps	-	4.6kg
1 x 36W Lamps	-	5.3kg
2 x 36W Lamps	-	5.6kg
1 x 58W Lamps	-	5.7kg
2 x 58W Lamps	-	6.1kg

### SUSPENSION

A range of accessories is available including eye bolts, wall and ceiling brackets. Suspension holes suitable for M5 fixings.

## DIMENSIONS



To calculate photometric values for lighting design, please use the free Victor "Lite Guide" software package. To request your copy, please contact your local Victor agent or use the request form on the website.

## ORDERING REFERENCE

Std. Cat Ref.	Wattage	Voltage	Lamp Type
<b>MA2I/118/BI/EM/HF*</b>	1X18W	220-254V 50/60Hz	Bi-Pin
<b>MA2I/218/BI/EM/HF</b>	2x18W	220-254V 50/60Hz	Bi-Pin
<b>MA2I/136/BI/EM/HF*</b>	1x36W	220-254V 50/60Hz	Bi-Pin
<b>MA2I/236/BI/EM/HF</b>	2x36W	220-254V 50/60Hz	Bi-Pin
<b>MA2I/158/BI/EM/HF*</b>	1x58W	220-254V 50/60Hz	Bi-Pin
<b>MA2I/258/BI/EM/HF</b>	2x58W	220-254V 50/60Hz	Bi-Pin

\* - Emergency single lamp versions only available in a twin lamp body

## OPTIONS - SUFFIX TO CATALOGUE REF.

<b>/NM</b>	Non-maintained emergency version (single lamp body)
<b>/MF</b>	Mains fuse
<b>/120</b>	230V High frequency ballast
<b>/T</b>	Through wired
<b>/EA</b>	External earth

## ACCESSORIES

Description	Part No
Offset ceiling bracket assembly	S3004-100001
Pole mounting bracket assembly (38/50 diameter poles)	S3004-100002
C' form hook type ceiling bracket assembly	S3004-100003
Flush mounted wall bracket assembly	S3004-100004
18W wall mounting outreach bracket (use with S3004-100002)	NPRO4-0008
36W wall mounting outreach bracket (use with S3004-100002)	NPRO4-0012
58W wall mounting outreach bracket (use with S3004-100002)	NPRO4-0022