

# A140 Disaster Warning Alarm Sounder



- Maximum output : 140dB(A) @ 1metre
- 32 alarm tones
- 3 stage alarm option
- Automatic synchronisation on multi-sounder systems
- **1 to 2Km effective range @ 1kHz**
- Voltages : 24vdc(21-28vdc); 115vac;230vac
- Ideal for battery back-up applications
- DC versions have reverse polarity diode protection.
- Fully programmable version with 4 stages available.
- Special tones available on request.
- Enclosure material : Lightweight fibreglass
- Colour available : Grey
- Operating temperature : -25 to +55°C
- Storage temperature : -40 to +70°C
- Relative humidity : 90% at 20°C
- Weight: 25Kg

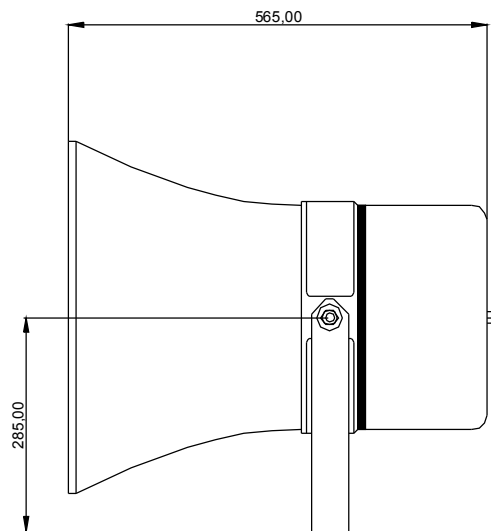
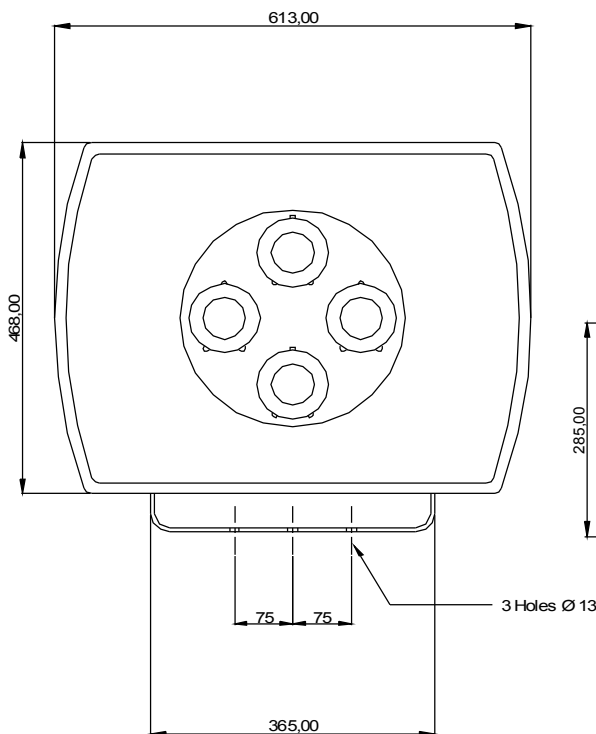


Acompact, high powered, lightweight unit.

Applications include large industrial sites, quarries, remote CEMAH sites, agricultural or forestry sites.

Input voltages and current consumption for the A140 sounder.

|                 |          |         |         |
|-----------------|----------|---------|---------|
| Voltage :       | 24vdc    | 115vac  | 230vac  |
|                 |          | 50/60Hz | 50/60Hz |
| Voltage range : | 21-28vdc | +/- 10% | +/- 10% |
| Current mA :    | 8A       | 2A      | 1A      |



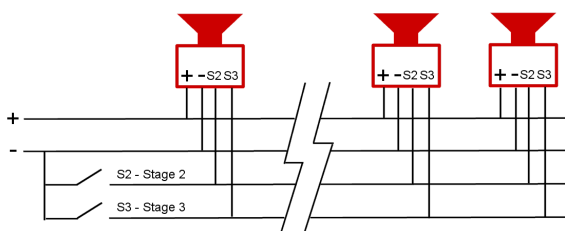
are in millimetres.

**Also available:**

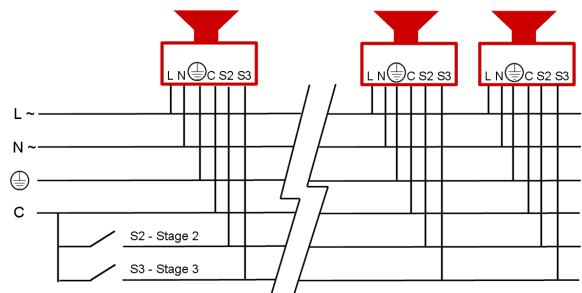
- **A100** AlertAlarm - 32 tones 104dB(A).
- **A105N** AlertAlarm - 32 tones 112dB(A).
- **A112** AlertAlarm - 45 tones 119dB(A).
- **A121** AlertAlarm - 45 tones 126dB(A).
- **A105N** Appello range of voice evacuation products.

| Stage 1 | Frequency Description                           |  | Stage 2 | Stage 3 |
|---------|---|--|---------|---------|
| Tone 1  | 340 Hz Continuous                               |  | Tone 2  | Tone 5  |
| Tone 2  | 800/1000Hz @ 0.25 sec Alternating               |  | Tone 17 | Tone 5  |
| Tone 3  | 500/1200Hz @ 0.3Hz 0.5 sec Slow Whoop           |  | Tone 2  | Tone 5  |
| Tone 4  | 800/1000Hz @ 1Hz Sw eeping                      |  | Tone 6  | Tone 5  |
| Tone 5  | 2400Hz Continuous                               |  | Tone 3  | Tone 20 |
| Tone 6  | 2400/2900Hz @ 7Hz Sw eeping                     |  | Tone 7  | Tone 5  |
| Tone 7  | 2400/2900Hz @ 1Hz Sw eeping                     |  | Tone 10 | Tone 5  |
| Tone 8  | 500/1200/500Hz @ 0.3Hz Sw eeping                |  | Tone 2  | Tone 5  |
| Tone 9  | 1200/500Hz @ 1Hz - DIN / PFEER P.T.A.P.         |  | Tone 15 | Tone 2  |
| Tone 10 | 2400/2900Hz @ 2Hz Alternating                   |  | Tone 7  | Tone 5  |
| Tone 11 | 1000Hz @ 1Hz Intermittent                       |  | Tone 2  | Tone 5  |
| Tone 12 | 800/1000Hz @ 0.875Hz Alternating                |  | Tone 4  | Tone 5  |
| Tone 13 | 2400Hz @ 1Hz Intermittent                       |  | Tone 15 | Tone 5  |
| Tone 14 | 800Hz 0.25sec on, 1 sec off Intermittent        |  | Tone 4  | Tone 5  |
| Tone 15 | 800Hz Continuous                                |  | Tone 2  | Tone 5  |
| Tone 16 | 660Hz 150mS on, 150mS off Intermittent          |  | Tone 18 | Tone 5  |
| Tone 17 | 544Hz (100mS)/440Hz (400mS) - NF S 32-001       |  | Tone 2  | Tone 27 |
| Tone 18 | 660Hz 1.8sec on, 1.8sec off Intermittent        |  | Tone 2  | Tone 5  |
| Tone 19 | 1.4KHz-1.6KHz 1s, 1.6KHz-1.4KHz 0.5s -NFC48-265 |  | Tone 2  | Tone 5  |
| Tone 20 | 660Hz Continuous                                |  | Tone 2  | Tone 5  |
| Tone 21 | 554Hz/440Hz @ 1Hz Alternating                   |  | Tone 2  | Tone 5  |
| Tone 22 | 544Hz @ 0.875 sec. Intermittent                 |  | Tone 2  | Tone 5  |
| Tone 23 | 800Hz @ 2Hz Intermittent                        |  | Tone 6  | Tone 5  |
| Tone 24 | 800/1000Hz @ 50Hz Sw eeping                     |  | Tone 29 | Tone 5  |
| Tone 25 | 2400/2900Hz @ 50Hz Sw eeping                    |  | Tone 29 | Tone 5  |
| Tone 26 | Bell  |  | Tone 2  | Tone 15 |
| Tone 27 | 554Hz Continuous                                |  | Tone 26 | Tone 5  |
| Tone 28 | 440Hz Continuous                                |  | Tone 2  | Tone 5  |
| Tone 29 | 800/1000Hz @ 7Hz Sw eeping                      |  | Tone 7  | Tone 5  |
| Tone 30 | 300Hz Continuous                                |  | Tone 2  | Tone 5  |
| Tone 31 | 660/1200Hz @ 1Hz Sw eeping                      |  | Tone 26 | Tone 5  |
| Tone 32 | Tw o tone chime.                                |  | Tone 26 | Tone 15 |

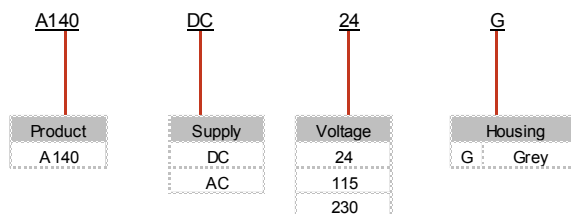
DC unit wiring configuration.



AC unit wiring configuration.



Ordering code :



# A105N Appello P.I.R. Voice Annunciation unit



- Maximum output: 105dB(A) @ 1 metre
- Direct message storage on silicon: 16 seconds of speech
- Very high voice reproduction quality (moving coil loudspeaker)
- Volume control
- P.I.R. is in constant monitoring state - replays message upon activation.
- 32m effective range @ 1kHz
- Voltages: 12vdc(9-15vdc); 24vdc(18-30vdc); 115vac; 230vac.
- Easy message creation with built in microphone.
- Edits automatically to message length.
- DC versions have reverse polarity diode protection.
- IP55 - can be increased to IP66 (dust protected, watertight) with WR kit.
- Tropicalisation available on request.
- Enclosure material: UL94V0 & 5VA rated FR ABS
- Colour available: Red (RAL3000), Grey or White.
- Operating temperature: -25 to +55°C
- Storage temperature: -40 to +70°C
- Relative humidity: 90% at 20°C
- Weight: DC: 0.75Kg AC: 1.10Kg

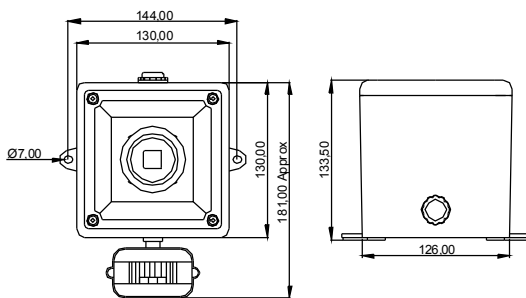
Record & store a user defined 16 second voice message. Message is repeated whilst P.I.R. remains activated.

- Cable gland knockouts in the rear of the unit.
- Side M20 cable gland entry and IP55 stopping plug.
- Unit can be mounted using external lugs or internal BESA compatible fixing positions.
- All units offer IN and OUT terminals
- Terminals accept 0.5 to 2.5mm<sup>2</sup> cables.

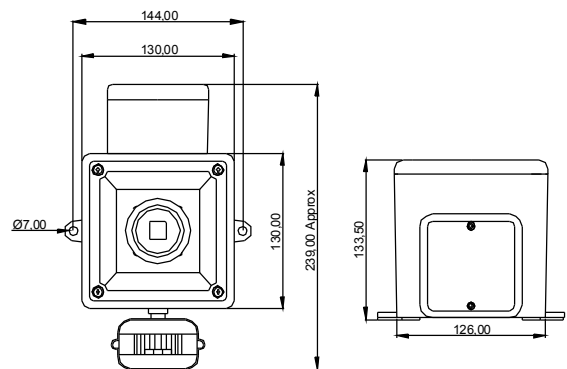
Input voltages and current consumption for the A105N Appello P.I.R.

|                 |         |          |         |         |
|-----------------|---------|----------|---------|---------|
| Voltage :       | 12vdc   | 24vdc    | 115vac  | 230vac  |
|                 |         |          | 50/60Hz | 50/60Hz |
| Voltage range : | 9-15vdc | 18-30vdc | +/-10%  | +/-10%  |
| Standby mA :    | 80mA    | 42mA     | 32mA    | 15mA    |
| Activated mA :  | 250mA   | 150mA    | 45mA    | 20mA    |

A105N PIR DC Dimensions.



A105N PIR AC Dimensions.



All dimensions are in millimetres.

Other products in the Appello range include the Speech & Tone sounder (10 alarm tones) in a Synchronised and non-synchronised version.

The Appello technology is also available in an ATEX approved explosionproof housing as the BExA110 & BExA120 units.



**Also available:**

- **A100** AlertAlarm - 32 tones 104dB(A).
- **A105N** AlertAlarm - 32 tones 112dB(A).
- **A112** AlertAlarm - 45 tones 119dB(A).
- **A121** AlertAlarm - 45 tones 126dB(A).