

Ex db IIB+H₂ ALUMINIUM AND STAINLESS STEEL ENCLOSURES - EJB... SERIES FOR USA and CANADA APPLICATIONS



ALUMINIUM



SS316L

**Certified for
Class 1, Zone 1
Zone 21**

EJB... series of empty enclosures offer Ex db IIB +H2 mode of protection.

Are suitable to be used in hazardous areas for different applications, and can be used as push button stations, instrument housing, lighting distribution panels, power distribution panels, heat tracing panels, motor control panels, etc.

Combustion and Energy Ex db IIB+H2 enclosures are certified according UL 60079-0, UL 60079-1, UL 60079-31, CSA C22.2 No.60079-0, CSA C22.2 No.60079-1, CSA C22.2 No.60079-31 standards.



Address

COMBUSTION AND ENERGY SRL
Via per Dolzago, 21 - 23848 - Oggiono - LC - Italy

Web

www.ce2k.com - info@ce2k.com

Contacts

Ph: +39 0341.260926

EJB SERIES - TECHNICAL SPECIFICATION

MATERIAL

Enclosure material: Copper free aluminium or stainless steel AISI 316L

Ex CODE

Ex marking Canada: Ex db IIB+H2 T6/T5/T4 Gb
Ex tb IIIC T85°C / T100°C / T135°C Db

Ex marking USA: Class I, Zone 1, AEx db IIB+H2 T6/T5/T4 Gb
Zone 21, AEx tb IIIC T85°C/T100°C/T135°C Db


MECHANICAL FEATURES

Degree of protection: IP66
Temperature: -50°C to +60°C
Threaded Holes: ISO Metric / ANSI B1.20.1 NPT

Ex FEATURES

Standards: UL 60079-0 / UL 60079-1 / UL 60079-31
CSA C22.2 No.60079-0 / CSA C22.2 No.60079-1, / CSA C22.2 No.60079-31
Suitable for: Zone 1 / Zone 21

CERTIFICATES

Certificates Number:  LC 15427-1

Address

COMBUSTION AND ENERGY SRL
Via per Dolzago, 21 - 23848 - Oggiono - LC - Italy

Web

www.ce2k.com - info@ce2k.com

Contacts

Ph: +39 0341.260926

EJB SERIES - ALUMINIUM DIMENSIONS

TYPE	External Dimensions			Internal Dimensions			Internal Plate		Fixing Holes		Weight	Feet Fixing Bolts
	Height (H)	Width (W)	Depth (D)	Height (H1)	Width (W1)	Depth (D1)	A	B	T	U	kg	ØZ
EJB-A	315	250	175	230	165	130	215	150	180	241	11	M8
EJB-B	425	245	230	345	170	185	321	150	290	249	16	M8
EJB-C	490	415	260	385	310	200	335	275	336	414	36	M8
EJB-D	530	495	260	425	390	200	394	358	360	480	44	M8
EJB-E	595	540	315	480	430	235	446	391	400	559	80	M10
EJB-F	835	445	315	720	340	235	670	294	630	449	93	M10
EJB-G	835	610	315	720	500	235	670	450	630	604	123	M10
EJB-H	835	610	410	720	500	330	670	450	630	604	134	M10

All dimensions are in mm.

Dimensions and weights are approximate and subject to change without notice.

Address

COMBUSTION AND ENERGY SRL
Via per Dolzago, 21 - 23848 - Oggiono - LC - Italy

Web

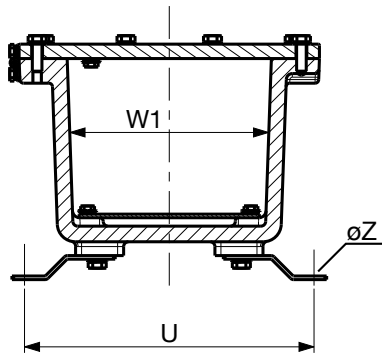
www.ce2k.com - info@ce2k.com

Contacts

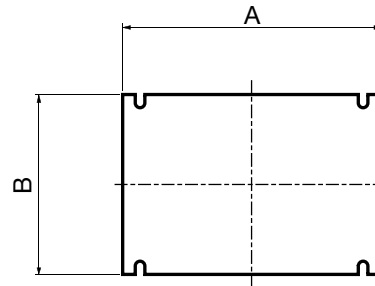
Ph: +39 0341.260926 - Fax: +39 0341.577747

EJB SERIES - ALUMINIUM DRAWINGS

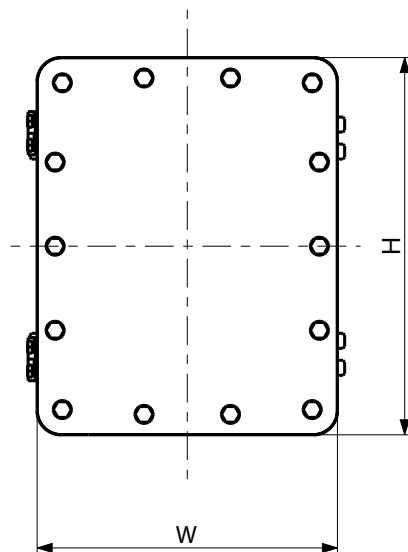
BOTTOM VIEW



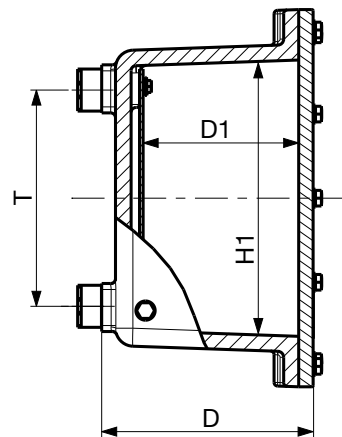
INTERNAL PLATE



FRONT VIEW



SIDE VIEW



.....
Address

.....
COMBUSTION AND ENERGY SRL
.....
Via per Dolzago, 21 - 23848 - Oggiono - LC - Italy

.....
Web

.....
www.ce2k.com - info@ce2k.com

.....
Contacts

.....
Ph: +39 0341.260926 - Fax: +39 0341.577747

EJB SERIES - STAINLESS STEEL DIMENSIONS

TYPE *	External Dimensions			Internal Dimensions			Internal Plate		Fixing Holes		Weight	Feet Fixing Bolts
	Height (H)	Width (W)	Depth (D)	Height (H1)	Width (W1)	Depth (D1)	A	B	T	U	kg	ØZ
EJBS-A	320	255	182	235	170	140	225	160	175	258	32	M10
EJBS-B	430	255	240	345	170	195	335	160	285	258	42	M10
EJBS-C	490	415	260	390	315	215	380	305	330	403	80	M10
EJBS-D	535	495	260	430	390	215	420	380	370	478	99	M10
EJBS-E	600	545	275	485	430	220	475	420	405	538	144	M16
EJBS-F	845	460	320	725	340	265	715	330	605	450	180	M16
EJBS-G	835	615	315	725	505	263	715	495	605	616	281	M16
EJBS-H	835	615	410	725	505	358	715	495	605	616	309	M16

All dimensions are in mm.

Dimensions and weights are approximate and subject to change without notice.

* "S" discriminate between Stainless Steel and Aluminium enclosures only in the catalogue and datasheets, is not included in the marking.

Address

COMBUSTION AND ENERGY SRL
Via per Dolzago, 21 - 23848 - Oggiono - LC - Italy

Web

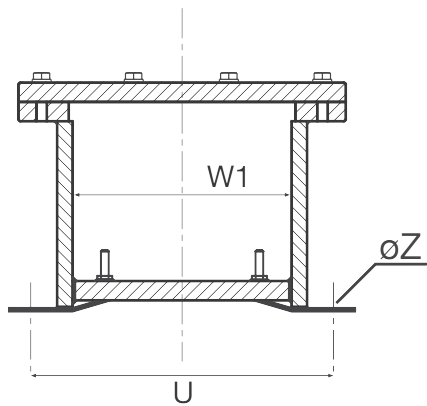
www.ce2k.com - info@ce2k.com

Contacts

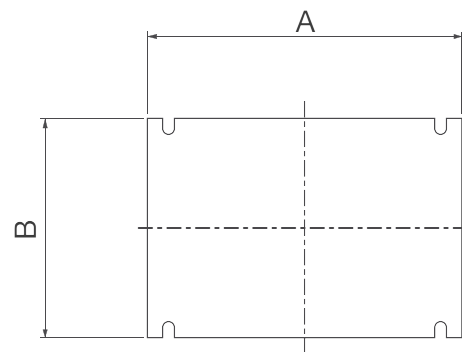
Ph: +39 0341.260926

EJB SERIES - STAINLESS STEEL DRAWINGS

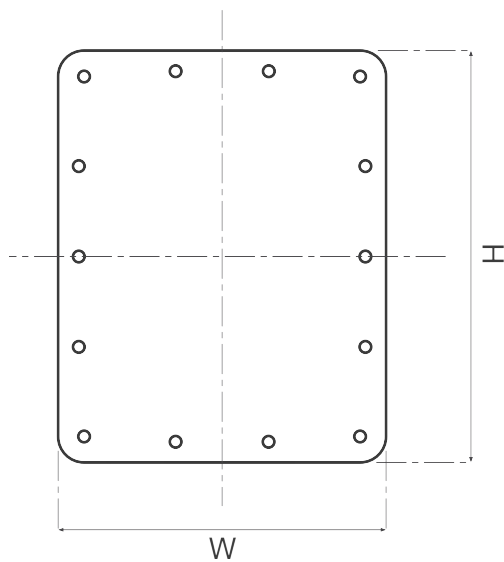
BOTTOM VIEW



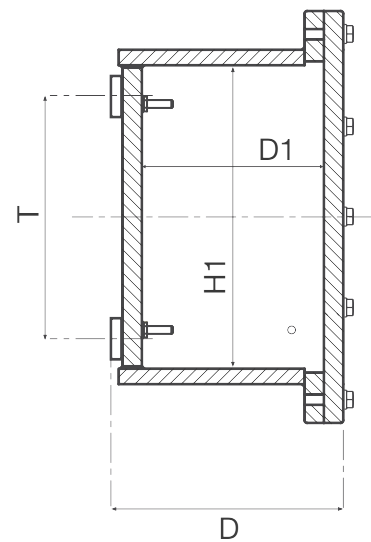
INTERNAL PLATE



FRONT VIEW



SIDE VIEW



.....
Address

.....
COMBUSTION AND ENERGY SRL
.....
Via per Dolzago, 21 - 23848 - Oggiono - LC - Italy

.....
Web

.....
www.ce2k.com - info@ce2k.com

.....
Contacts

.....
Ph: +39 0341.260926

EJB... SERIES - FEATURES

TYPES OF ENCLOSURES	TEMPERATURE CLASS		MAXIMUM POWER DISSIPATED		
	GAS	DUST	40°C	50°C	60°C
EJB-A	T6	T85°C	90W	60W	25W
	T5	T100°C	120W	95W	75W
	T4	T135°C	205W	180W	155W
EJB-B	T6	T85°C	125W	90W	55W
	T5	T100°C	180W	145W	110W
	T4	T135°C	305W	270W	235W
EJB-C	T6	T85°C	210W	150W	95W
	T5	T100°C	295W	235W	180W
	T4	T135°C	500W	440W	380W
EJB-D	T6	T85°C	255W	185W	115W
	T5	T100°C	360W	290W	220W
	T4	T135°C	610W	535W	465W
EJB-E	T6	T85°C	265W	200W	125W
	T5	T100°C	390W	315W	240W
	T4	T135°C	655W	580W	505W
EJB-F	T6	T85°C	350W	265W	165W
	T5	T100°C	515W	415W	315W
	T4	T135°C	850W	755W	660W
EJB-G	T6	T85°C	410W	315W	195W
	T5	T100°C	610W	495W	375W
	T4	T135°C	1020W	905W	790W
EJB-H	T6	T85°C	510W	390W	245W
	T5	T100°C	610W	460W	320W
	T4	T135°C	1260W	1120W	975W

Address

COMBUSTION AND ENERGY SRL
Via per Dolzago, 21 - 23848 - Oggiono - LC - Italy

Web

www.ce2k.com - info@ce2k.com

Contacts

Ph: +39 0341.260926

EJB... SERIES - FEATURES

NUMBER OF THREADED HOLES AND OPERATORS ON FRONT

EJB Type	A	B	C	D	E	F	G	H
Nr. of threaded holes and operators (M32 and M25) - without windows	4	10	24	36	42	55	88	88

NUMBER OF CABLE ENTRIES ON LONG/SHORT SIDE FOR EACH EJB

ENTRY	BOX TYPE							
	A	B	C	D	E	F	G	H
M20 / 1/2"	8/6	12/6	20/16	24/22	30/24	55/26	55/32	60/38
M25 / 3/4"	8/4	8/4	12/9	22/16	25/20	38/18	40/22	44/24
M32 / 1"	3/3	3/2	10/8	11/9	13/11	30/15	34/18	36/20
M50 / 1.1/2"	2/1	2/1	4/3	8/8	8/8	14/6	16/12	17/13
M63 / 2"	1/1	2/1	3/2	3/3	4/4	10/4	11/5	12/6
M75 / 2.1/2"			2/2	2/2	3/2	4/2	6/4	6/4
M80 / 3"				1/1	2/2	3/1	5/3	5/3

Address

COMBUSTION AND ENERGY SRL
Via per Dolzago, 21 - 23848 - Oggiono - LC - Italy

Web

www.ce2k.com - info@ce2k.com

Contacts

Ph: +39 0341.260926

EJB... SERIES - OPERATORS

CODE	DESCRIPTION
10000	Black button NO contact
10001	Green button NO contact
10002	Red button NC contact
10003	Yellow button NO contact
10057	White button NO contact
10004	White signal lamp
10005	Green signal lamp
10006	Red signal lamp
10007	Yellow signal lamp
10049	Blue signal lamp
10021	Selector switch 0-1, 2 pole 16A handle 55x55
10022	Selector switch 0-1, 3 pole 63A handle 72x72
10023	Selector switch 1-0-2, 2 pole 16A handle 55x55
10024	Selector switch 1-2-3, 2 pole 16A handle 55x55
10025	Selector switch 1-0-2, handle 55x55
10026	Selector switch 1-2-3, handle 55x55
10053	Selector switch 1-2, 3 pole 16A handle 55x55
10047	Selector switch 6 positions 12A, black handle 55x55
10028	Selector switch 0-1, 4 pole 16A handle 55x55
10045	Selector switch 1-2, 2 pole 16A handle 55x55
10048	Selector switch 5 positions 16A, black handle 55x55
10020	Emergency Red button, turn to unlock, 1 NC contact
10027	Handle for internal switch operation handle 55x55
10051	Handle 160mm for internal switch operation
10052	Handle 110mm for internal switch operation
10046	Key selector switch three position 1-0-2, handle 55x55
10056	Key selector switch three position 1-2

For other type of operators, please contact our technical department.
Inox material for operators are available on request.



Emergency Red button



Green button



Orange signal lamp



Selector 0-1



Address

A.B. Controls & Technology, Inc.
1813 Rotary Drive, Humble, TX, 77338

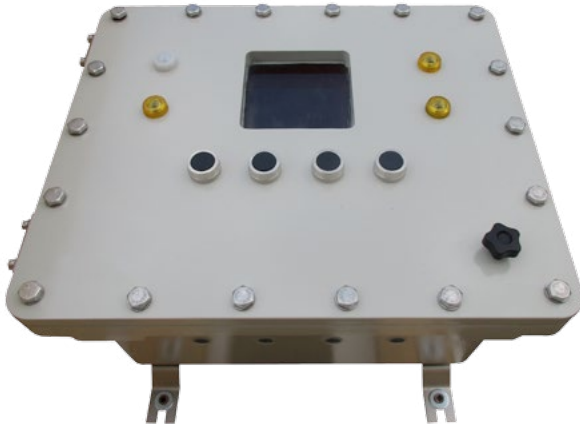
Web

www.abtech-inc.com

Contacts

Tel: 281-548-3424. Email: sales@abtech-inc.com

EJB... SERIES - EXAMPLE OF EJB WITH WINDOW AND OPERATORS



Address

A.B. Controls & Technology, Inc.
1813 Rotary Drive, Humble, TX, 77338

Web

www.abtech-inc.com

Contacts

Tel: 281-548-3424. Email: sales@abtech-inc.com