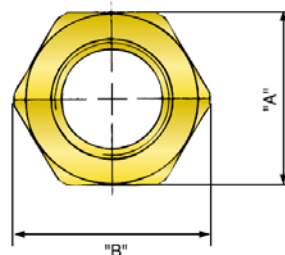
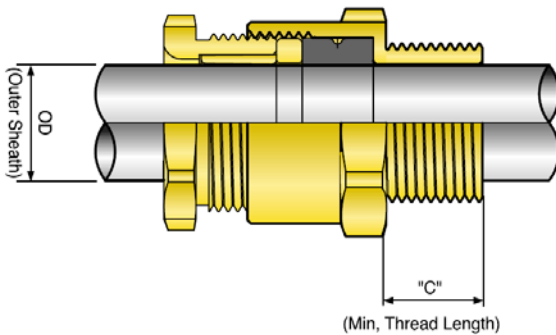


Non-Armoured Glands – ASG Range

Applications

- Suitable for un-armoured cables
- Sealing Area : Cable outer sheath
- Operating Temperature : -60°C to +100°C
- Materials : Nickel plated brass or stainless steel
- Suitable for use in:
Zone 1, Zone 2, Zone 21 and Zone 22,
Gas Groups, IIA, IIB and IIC
- Ingress Protection : IP66/67 to IEC 529
- ATEX Certificate Number : Baseefa09ATEX0187X
IECEX Certificate Number : IECEX BAS 09.0089X



Cable Gland Size	Entry Thread		Cable Acceptance Range				Hex Dimensions		Thread Length		
	Metric	NPT	Standard Seal		Alternative Seal (S)		Across Flats (A)	Across Corners (B)	Metric (C)	NPT (C)	
			Min. (OD)	Max. (OD)	Min. (OD)	Max. (OD)					
			(OD)	(OD)	(OD)	(OD)					
ASG-16a	M16	-	3.0	6.0	-	-	22.0	24.5	15.0	-	
ASG-16b		-	6.1	10.0	4.0	8.0					
ASG-20a	M20	½"	3.0	6.0	-	-	24.0	26.8		20.0	
ASG-20b			6.1	10.0	4.0	8.0					
ASG-20c			10.1	15.0	8.5	13.0	27.0	30.0			
ASG-25	M25	¾"	12.0	18.0	10.0	15.0	32.0	35.5		20.0	
ASG-32a	M32	1"	18.1	23.0	16.0	21.0	39.0	43.5			25.0
ASG-32b			22.1	26.0	20.0	24.0					
ASG-40	M40	1¼"	26.1	32.0	22.0	28.0	48.0	53.5			25.6
ASG-50	M50	1½"	32.1	40.0	27.5	35.0	58.0	64.0			26.0
ASG-63a	M63	2"	40.1	47.0	38.0	44.0	73.0	81.0	27.0		
ASG-63b			47.1	54.0	43.0	50.0					
ASG-75	M75	2½"	55.1	65.0	51.0	58.0	85.0	94.0	40.0		
ASG-80	M80	3"	65.1	71.5	61.0	67.0	100.0	109.5	20.0		41.5
ASG-90			M90	71.6	77.6	68.0	73.0	105.0			

Accessories

Locknut, sealing washer, serrated washer, earth tag and PVC shroud are available.