

1

3

5

6

BPGA

The ABTECH BPGA range comprises of three types of BPG enclosure in two different sizes. These enclosures are available pre-assembled and are readily available from stock. The BPGA enclosures are ideal for a range of uses such as lighting, power and instrument junction boxes.



These enclosures are manufactured in impact resistant glass-reinforced polyester which has an ingress protection rating of IP66/67 and are Shell/ERA deluge tested.

The enclosures come equipped with terminals as shown in the specification table for each individual box, copper earth continuity plate and are also fitted with a brass M6 internal/external earth stud.



Each enclosure comes pre-drilled with four M20 tapped cable entries and is supplied with certified blanking plugs. The BPGA range of enclosures are ATEX and IECEx certified Ex'e' and are suitable for use in Category 2/Zone 1 & 21 and Category 3/Zone 2 & 22 areas according to EN 60079-14.



As an option, we are also able to supply a post mounting bracket, allowing the user to install the BPGA range onto posts measuring between 50 and 100mm in diameter. All bracket components are manufactured from stainless steel, ensuring an extremely long life span even in harsh environmental conditions. Please contact the Sales Department for further details.



BPGA120

Glass Reinforced Polyester Junction Boxes

IP66/7

Application

Hazardous areas

Protection Degree

IP66 or 67

Certification

ATEX & IECEx (Zone 1 & 2; Zone 21 & 22)

Coding

Ex e IIC T6/T5 Gb, Ex tb IIIC T85°C/T100°C

Material

Glass Reinforced Polyester (RAL7001 grey) or Carbon Loaded Glass Reinforced Polyester (Black)

Ambient Temperature Rating

-50°C to +40°C at T6

-50°C to +55°C at T5

Power Rating

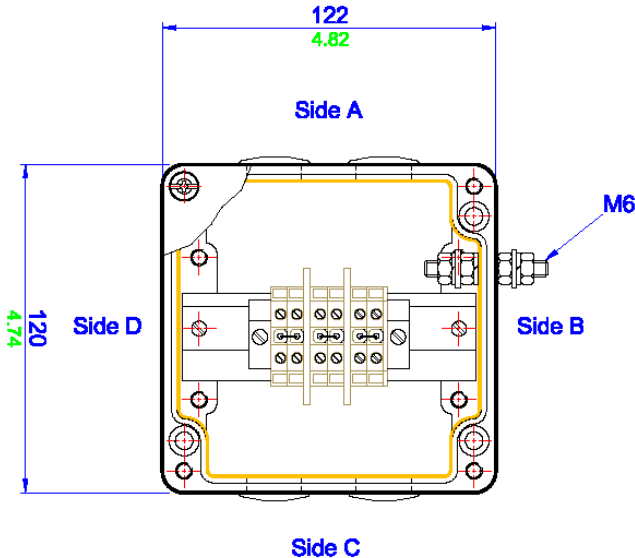
9.378W



Glass Reinforced Polyester Junction Boxes

Fitted Components

| Entries | Blanking Plugs | Terminals | Earth Continuity Plate | Earth Stud |
|-------------------------------------|-------------------------|----------------------------------|------------------------|--------------------|
| 4 x M20 (2 x Side A, 2 x Side C) | 4 off (Ex' e' rated) | 6 x SAK 2.5 (linked in pairs) | Yes (Copper) | Yes (Brass, M6) |



All blue dimensions in mm, all green dimensions in decimal inches (drawing not to scale)

Specifications

| Part Number | Material | Width (mm) | Length (mm) | Depth (mm) | Weight (g) |
|-------------|-------------|------------|-------------|------------|------------|
| BPG6A120 | GRP (grey) | 122 | 120 | 90 | 1140 |
| BPGC6A120 | GRP (black) | 122 | 120 | 90 | 1140 |

BPGA125

Glass Reinforced Polyester Junction Boxes

IP66/7

Application

Hazardous areas

Protection Degree

IP66 or 67

Certification

ATEX & IECEx (Zone 1 & 2; Zone 21 & 22)

Coding

Ex e IIC T6/T5 Gb, Ex tb IIIC T85°C/T100°C

Material

Glass Reinforced Polyester (RAL7001 grey) or
Carbon Loaded Glass Reinforced Polyester (Black)

Ambient Temperature Rating

-50°C to +40°C at T6
-50°C to +55°C at T5

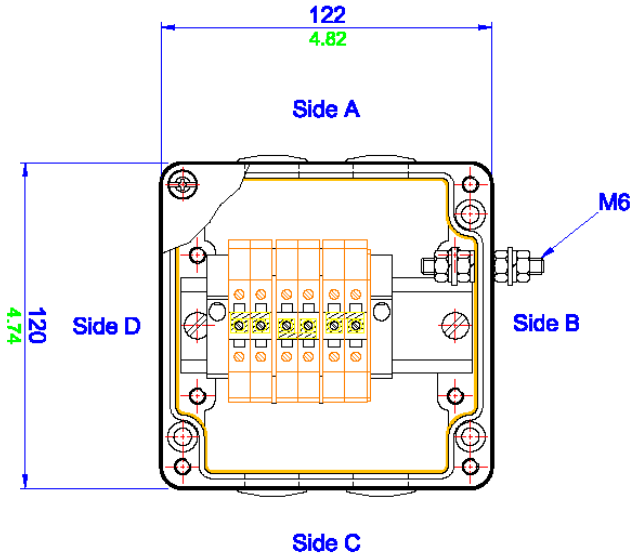
Power Rating

9.378W



Fitted Components

| Entries | Blanking Plugs | Terminals | Earth Continuity Plate | Earth Stud |
|-------------------------------------|------------------------|-------------------------------|------------------------|--------------------|
| 4 x M20 (2 x Side A, 2 x Side C) | 4 off (Ex'e' rated) | 6 x WDU6 (linked in pairs) | Yes (Copper) | Yes (Brass, M6) |



All blue dimensions in mm, all green dimensions in decimal inches (drawing not to scale)

Specifications

| Part Number | Material | Width (mm) | Length (mm) | Depth (mm) | Weight (g) |
|-------------|-------------|------------|-------------|------------|------------|
| BPG6A125 | GRP (grey) | 122 | 120 | 90 | 1062 |
| BPGC6A125 | GRP (black) | 122 | 120 | 90 | 1062 |

BPGA160

Glass Reinforced Polyester Junction Boxes

IP66/7

Application

Hazardous areas

Protection Degree

IP66 or 67

Certification

ATEX & IECEx (Zone 1 & 2; Zone 21 & 22)

Coding

Ex e IIC T6/T5 Gb, Ex tb IIIC T85°C/T100°C

Material

Glass Reinforced Polyester (RAL7001 grey) or Carbon Loaded Glass Reinforced Polyester (Black)

Ambient Temperature Rating

-50°C to +40°C at T6

-50°C to +55°C at T5

Power Rating

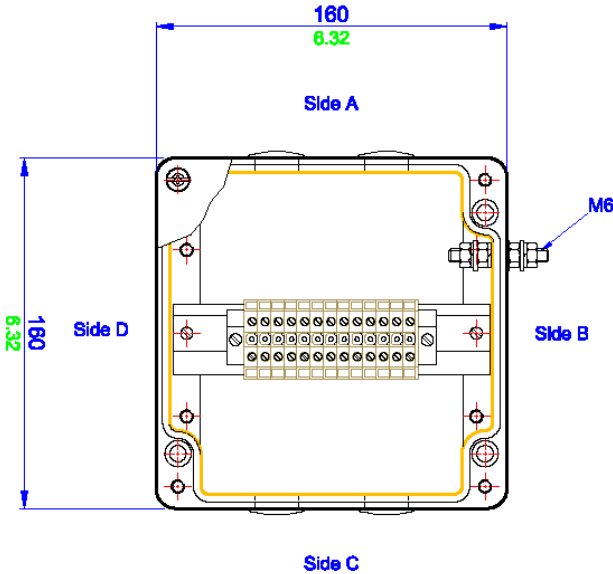
10.348W



Glass Reinforced Polyester Junction Boxes

Fitted Components

| Entries | Blanking Plugs | Terminals | Earth Continuity Plate | Earth Stud |
|-------------------------------------|------------------------|--------------|------------------------|--------------------|
| 4 x M20 (2 x Side A, 2 x Side C) | 4 off (Ex'e' rated) | 13 x SAK 2.5 | Yes (Copper) | Yes (Brass, M6) |



All blue dimensions in mm, all green dimensions in decimal inches (drawing not to scale)

Specifications

| Part Number | Material | Width (mm) | Length (mm) | Depth (mm) | Weight (g) |
|-------------|-------------|------------|-------------|------------|------------|
| BPG8A160 | GRP (grey) | 160 | 160 | 90 | 1740 |
| BPGC8A160 | GRP (black) | 160 | 160 | 90 | 1740 |